



# DUAL ZONE 2X5.5L

AF-2X50DUAL

EN · Instruction manual  
NO · Bruksanvisning  
SE · Bruksanvisning

DK · Betjeningsvejledning  
FI · Käyttöohje  
DE · Anleitung



READ ALL INSTRUCTIONS BEFORE USING

EN

LES ALLE ANVISNINGER FØR BRUK

NO

LÄS IGENOM ALLA INSTRUKTIONER INNAN PRODUKTEN ANVÄNDS

SE

LÆS ALLE VEJLEDNINGER INDEN BRUG

DK

LUE OHJEET HUOLELLISESTI ENNEN KÄYTTÖÄ

FI

LESEN SIE DIE ANLEITUNG VOR DEM GEBRAUCH GRÜNDLICH DURCH

DE

EN

## CONTENTS

---

|    |                                      |
|----|--------------------------------------|
| 6  | IMPORTANT SAFETY INSTRUCTIONS        |
| 8  | SAFETY PRECAUTIONS FOR YOUR AIRFRYER |
| 10 | PRODUCT OVERVIEW                     |
| 11 | DISPLAY                              |
| 13 | PROGRAMS                             |
| 13 | BEFORE USE                           |
| 14 | USE                                  |
| 16 | GUARANTEE                            |
| 17 | PRODUCT SPECIFICATIONS               |
| 17 | SUPPORT AND SPARE PARTS              |
| 17 | RECYCLABILITY                        |

## IMPORTANT SAFETY INSTRUCTIONS

- Read this instruction manual thoroughly before use and save it for future reference. It is also available at our website; wilfa.com.
- This product is intended for indoor, non-industrial, non-commercial household use only.
- This appliance shall not be used by children from 0 year to 8 years. This appliance can be used by children aged from 8 years and above if they are continuously supervised. Keep the appliance and its cord out of reach of children less than 8 years. This appliance can be used by persons with reduced physical, sensory or mental capabilities or lack of experience and knowledge if they have been given supervision or instruction concerning use of the appliance in a safe way and understand the hazards involved. Cleaning and user maintenance shall not be made by children. Children shall not play with the appliance.
- If the supply cord is damaged, it must be replaced by the manufacturer, its service agent or similarly qualified persons in order to avoid a hazard.
- Please turn off and unplug the appliance before cleaning, maintenance or relocation and whenever it is not in use.
- The surfaces are liable to get hot during use.

EN

- After being used for a long time, the corresponding heating zone of the induction hot plate is still hot. Never touch the ceramic surface to avoid burning.
- Do not immerse any part of the appliance in water or other liquid.
- Never immerse the housing, which contains electrical components and the heating elements, in water nor rinse under the tap.
- Do not let any water or other liquid enter the appliance to prevent electric shock.
- Do not cover the air inlet and the air outlet openings while the appliance is operating.
- Never touch the inside of the appliance while it is operating.
- Keep the main cord away from hot surfaces.
- Never connect this appliance to an external timer switch or separate remote-control system in order to avoid a hazardous situation.
- Immediately unplug the appliance if you see dark smoke coming out of the appliance. Wait for the smoke emission to stop before you remove the pan from the appliance.
- Please pay attention to scald where there is a high temperature symbol.

## SAFETY PRECAUTIONS FOR YOUR AIRFRYER

EN

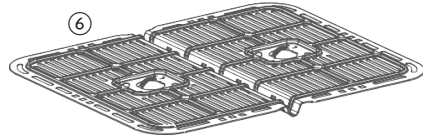
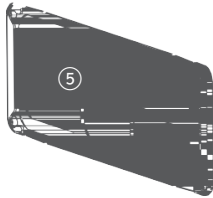
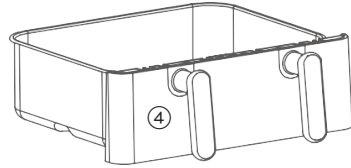
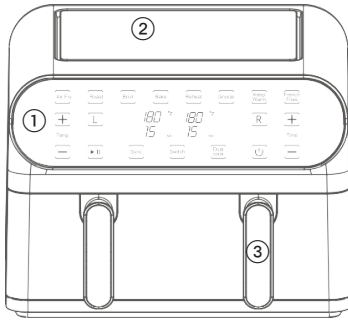
- Always put the ingredients to be fried in the basket, to prevent it from coming in contact with the heating elements.
- Do not fill the pan with oil as this may cause a fire hazard.
- During airfrying, hot steam is released through the air outlet. Keep your hands and face at a safe distance from the steam and from the air outlet openings. Also be careful of hot steam and air when you remove the pan from the appliance.



EN

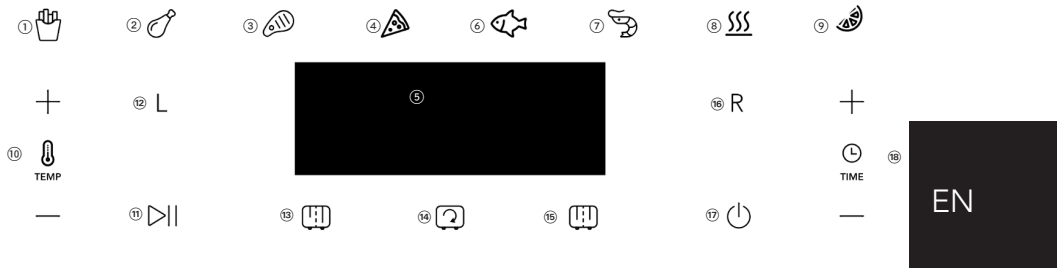
## PRODUCT OVERVIEW

EN



- 1 Display
- 2 Air inlet
- 3 Handles
- 4 Basket
- 5 Separator
- 6 Frying rack

## DISPLAY



1. Fries
2. Chicken
3. Steak
4. Pizza
5. Dual digital temp & time display

6. Fish
7. Shrimp
8. Keep warm
9. Dehydrate
10. Temp control (+ or -)

- Press + or – on the left side of the control panel to increase or reduce TEMP in 5 degree increments.

#### 11. Start or pause

- Once programming is complete, press the START and PAUSE to start the cooking process or PAUSE any operation.

#### 12. Left basket control

**NOTE:** LEFT or RIGHT Baskets may be programmed independently at any time before or during operation.

i. The L or R Control will illuminate steadily on the screen when active. To adjust or add programming at any time, press the appropriate L or R Basket Control. When the Control begins to flash, TEMP and TIME can be adjusted.

EN

**13. Sync food**

- Sync Finish feature independently adjusts temperature and cooking time in each basket to allow two different dishes to finish cooking at the same time.
- Both LEFT and RIGHT Baskets must first be programmed.
- Press SYNC to ensure both baskets will finish cooking together. Then press START and PAUSE Control to begin operation.
- Cooking time will appear on the L and R sides and the countdown will begin on the side with more time. When the remaining time on L and R sides is even, the countdown will proceed on both sides.

**NOTE:** Once cooking has started, SYNC function will not be operable.

**14. Switch**

- Press SWITCH Control to enter Single Basket without Separator.
- The L/R, SYNC and DUAL COOK Controls won't light up. Only one set of TIME and TEMPERATURE will be displayed.

**15. Dual cook**

- Dual Cook function allows you to choose the same program and settings for both baskets at the same time. Press dual cook, choose program, time and temperature settings for both baskets.

**16. Right basket control****17. On/off control**

- When the Air Fryer is plugged in, a tone will sound, the ON/OFF Control will light up, indicating that the unit is powered on.
- When ON/OFF is pressed, a tone will sound, and all the Controls will light up.
- When in operation, press ON/OFF Control to turn both LEFT and RIGHT Basket Controls OFF.

**18. Time control (+ or -)**

- Press + or – on the right side of the control panel to increase or decrease TIME in 1 minute increments.

**NOTE:** When using the DEHYDRATE, TIME will increase or decrease in 1 hour increments.

## PROGRAMS

| Program      | Position in the display | Temp | Time | Dual cook time | Temp range | Time range | Shake reminder | Preheat |
|--------------|-------------------------|------|------|----------------|------------|------------|----------------|---------|
| French fries | 1                       | 200  | 18   | 23             | 80–200     | 1–60       | Yes            | Yes     |
| Chicken      | 2                       | 200  | 20   | 25             | 80–200     | 1–60       | Yes            | Yes     |
| Steak        | 3                       | 180  | 15   | 19             | 80–200     | 1–60       | Yes            | Yes     |
| Pizza        | 4                       | 200  | 11   | 13             | 80–200     | 1–60       | No             | Yes     |
| Fish         | 5                       | 190  | 10   | 12             | 80–200     | 1–60       | Yes            | Yes     |
| Shrimp       | 6                       | 180  | 10   | 12             | 80–200     | 1–60       | Yes            | Yes     |
| Keep warm    | 7                       | 80   | 30   | 30             | 70–100     | 1–60       | No             | No      |
| Dehydrate    | 8                       | 70   | 6 h  | 6 h            | 30–100     | 1–1440     | No             | No      |

EN

To permanently change the temperature and time settings to a program, choose your program, set your preferred time and temperature, press and hold **— +** **>||** for 2 seconds to set your changes. It will be confirmed with a long beep.

## BEFORE USE

1. Remove all packaging materials.
2. Clean all detachable parts thoroughly with mild soap and water.
  - a. Removable basket, Frying rack, and Separator.
3. Use a damp cloth to wipe the inside and outside of the Air Fryer and a dry cloth to dry it. DO NOT immerse Air Fryer Body in water.
4. After cleaning, dry and place all detachable parts in the Air Fryer.
 

**NOTE:** During first use, the Dual Air Fryer may emit a slight odor. This is normal and will not affect the flavour of the food.

## USE

### COOK WITH 11L BASKET

1. Plug the cord into an electrical outlet. The ON/OFF control will light up in white.
2. Place food on the frying rack in the basket without the separator.  
**WARNING:** DO NOT Overfill. To ensure proper cooking and air circulation, NEVER fill any basket more than 2/3 full.  
**NOTE:** When air frying fresh vegetables, it is not recommended to add more than 2 to 3 cups of food to the basket.
3. Insert the basket into the air fryer.
4. Press the ON/OFF control. The control panel will illuminate.
5. Press Switch. **NOTE:** The L, R, Sync, and Dual Cook buttons will turn off. Sync buttons will turn off.
6. Press the desired cooking function. The default cooking time and temperature with flash.
7. If necessary, adjust the cooking time and temperature using the + or – buttons. **NOTE:** In the Dehydrate Setting, time is adjustable in 1 hour increments.
8. Press the start/pause button to initiate the cooking process.  
**NOTE:** To pause the cooking process, press the start/pause button. To resume the cooking process, press the start/pause button.  
**NOTE:** Two-thirds through the cooking process, the air fryer will beep and the display will show “trn food”, reminding you it’s time to shake or flip your food for even cooking.
9. When the remaining time reaches 00:00, the display will show “End”, the air fryer will beep 2 times and turn off.

### COOK USING BOTH BASKETS

1. Plug the air fryer cord into an electrical outlet. The ON/OFF control will light up in white.
2. Place food on the frying rack in the basket with the separator.  
**WARNING:** DO NOT Overfill. To ensure proper cooking and air circulation, NEVER fill any basket more than 2/3 full.  
**NOTE:** When air frying fresh vegetables, it is not recommended to add more than 2 to 3 cups of food to the basket.
3. Insert the basket into the air fryer.
4. Press the ON/OFF control. The control panel will illuminate.
5. Press the L button to set up the cooking process for the food on the left basket.
6. Press the desired cooking function. The default cooking time and temperature with flash.

7. If necessary, adjust the cooking time and temperature using the + or – buttons.
8. Press the R button to set up the cooking process for the food on the right basket.
9. Press the desired cooking function. The default cooking time and temperature with flash.
10. If necessary, adjust the cooking time and temperature using the + or – buttons. **NOTE:** Press the Sync button to synchronize the cooking time in each basket so both dishes finish cooking at the same time.
11. Press the start/pause button to initiate the cooking process.  
**NOTE:** To pause the cooking process, press the start/pause button. To resume the cooking process, press the start pause button.  
**NOTE:** Two-thirds through the cooking process, the air fryer will beep, and the display will show “Trn food”, reminding you it’s time to shake or flip your food for even cooking.
12. When the remaining time reaches 00:00, the display will show “End”, the air fryer will beep 2 times and turn off.

EN

## COOK USING ONLY ONE BASKET

1. Plug the air fryer cord into an electrical outlet. The ON/OFF control will light up in white.
2. Place food on the frying rack in the basket with the separator.  
**WARNING:** DO NOT Overfill. To ensure proper cooking and air circulation, NEVER fill the basket more than 2/3 full.  
**NOTE:** When air frying fresh vegetables, it is not recommended to add more than 2 to 3 cups of food to basket.
3. Insert the basket into the air fryer.
4. Press the ON/OFF control. The control panel will illuminate.
5. Press the L or R button to set up the cooking process for the food in the desired basket.
6. Press the desired cooking function. The default cooking time and temperature will flash.
7. If necessary, adjust the cooking time and temperature using the + or – buttons.
8. Press the start/pause button to initiate the cooking process.  
**NOTE:** To pause the cooking process, press the start/pause button. To resume the cooking process, press the start pause button.  
**NOTE:** Two-thirds through the cooking process, the air fryer will beep, and the display will show “Trn food”, reminding you it’s time to shake or flip your food for even cooking.
9. When the remaining time reaches 00:00, the display will show “End”, the air fryer will beep 2 times and turn off.



EN

## GUARANTEE

Wilfa issues a 5 year guarantee on this product from the day of purchase is done. The guarantee covers production failure or defects that arise during the guarantee period. Your purchase receipt works as proof towards retailer if claiming your guarantee.

The guarantee is valid only for products that are bought and used in private households. The guarantee is not valid if the product is used commercially. The guarantee is not valid if the product is misused, used by negligence, if not following instructions given by Wilfa, if modified or if unauthorized repairation is done. The guarantee is also not valid for normal wear of the product, misuse, lack of maintenance, use of wrong electrical voltage or:

- Overloading of product
- Parts which are normally worn down
- Parts you can expect being replaced regularly (e.g. filter, battery etc.)

**Instructions manual is also available at our website [wilfa.com](http://wilfa.com)**



## PRODUCT SPECIFICATIONS

220-240V~50/60Hz 1700W

## SUPPORT AND SPARE PARTS

For support please visit us at **wilfa.com**, and see our customer service/support page. Here you will find frequently asked questions, spare parts, tips and tricks and all our contact information.

## RECYCLABILITY



This marking indicates that this product should not be disposed with other household wastes throughout the EU. To prevent possible harm to the environment or human health from uncontrolled waste disposal, recycle it responsibly to promote the sustainable reuse of material resources. To return your used device, please use the return and collection systems or contact the retailer where the product was purchased. They can take this product for environmentally safe recycling free of charge.

EN

NO

NO

## INNHold

---

- 20 VIKTIGE SIKKERHETSANVISNINGER
- 22 FORHOLDSREGLER VED BRUK AV AIRFRYER
- 24 PRODUKTOVERSIKT
- 25 DISPLAY
- 27 PROGRAMMER
- 27 FØR BRUK
- 28 BRUK
- 30 GARANTI
- 31 PRODUKTSPEsIFIKASJONER
- 31 SUPPORT OG RESERVEDELER
- 31 GJENVINNING

## VIKTIGE SIKKERHETSANVISNINGER

- Les denne bruksanvisningen nøye før du bruker apparatet, og ta vare på den til senere bruk. Den er også tilgjengelig på nettstedet vårt: [wilfa.no](http://wilfa.no).
- Produktet er kun beregnet for innendørs, ikke-industriell, ikke-kommersiell husholdningsbruk.
- Apparatet skal ikke brukes av barn mellom 0–8 år. Dette apparatet kan brukes av barn fra 8 år og oppover hvis de er under kontinuerlig tilsyn. Oppbevar apparatet og ledningen utilgjengelig for barn under 8 år. Dette produktet kan brukes av personer med nedsatte fysiske, sansemessige eller mentale evner eller mangel på erfaring og kunnskap, hvis de er under tilsyn av eller har fått anvisninger om sikker bruk av apparatet og er klar over farene forbundet med bruk. Rengjøring og vedlikehold skal ikke utføres av barn. Ikke la barn leke med apparatet.
- Hvis strømledningen er ødelagt, må den skiftes av produsenten, en servicetekniker eller lignende kvalifisert person for å unngå farlige situasjoner.
- Slå av apparatet og trekk ut støpselet før rengjøring, vedlikehold eller flytting, og når det ikke er i bruk.
- Overflaten kan bli varm under bruk.

NO

- Etter lang tids bruk er den tilsvarende varmesonen på induksjonsvarmeplaten fortsatt varm. Berør aldri den keramiske overflaten for å unngå forbrenning.
- Apparatet må ikke senkes i vann eller annen væske.
- Senk aldri hovedenheten, som inneholder elektriske komponenter og varmeelementer, i vann eller skyll under springen.
- Ikke la vann eller annen væske komme inn i apparatet, da dette kan føre til elektrisk støt.
- Ikke dekk til luftinntaket og luftuttakene mens apparatet er i bruk.
- Berør aldri innsiden av apparatet mens det er i bruk.
- Hold strømledningen borte fra varme overflater.
- Apparatet må aldri kobles til en ekstern tidsbryter eller et separat fjernkontrollsystem, for å unngå farlige situasjoner.
- Trekk ut støpselet umiddelbart hvis du ser at det kommer mørk røyk ut av apparatet. Vent til røykutslippet stopper før du fjerner pannen fra produktet.
- Vær oppmerksom på skålding hvis apparatet har et symbol for høy temperatur.

NO

## FORHOLDSREGLER VED BRUK AV AIRFRYER

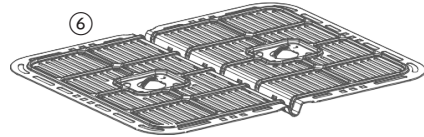
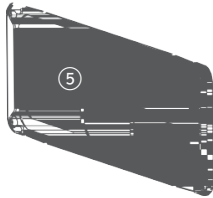
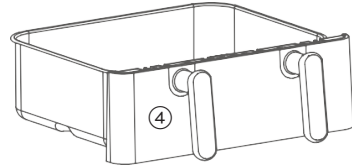
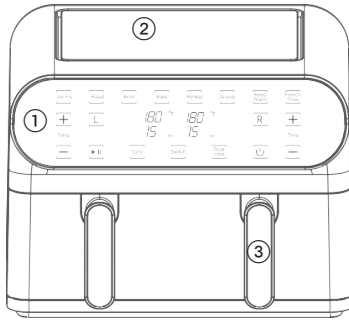
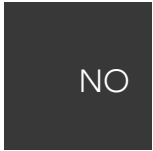
- Legg alltid ingrediensene som skal stekes i kurven for å hindre at de kommer i kontakt med varmeelementene.
- Ikke fyll pannen med olje, da dette kan føre til brannfare.
- Under steking slippes varm damp ut gjennom luftuttakene. Hold hender og ansikt på trygg avstand fra damp- og luftuttakene. Vær også forsiktig med varm damp og luft når du fjerner pannen fra produktet.



NO

NO

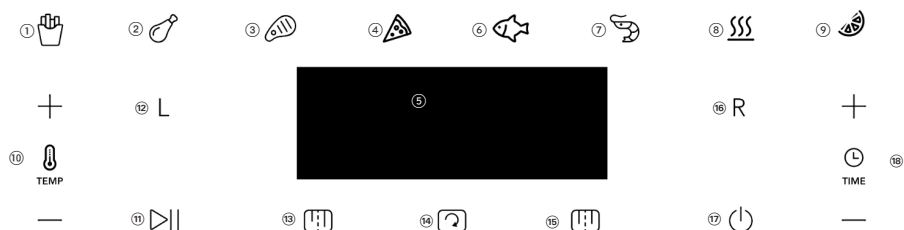
## PRODUKTOVERSIKT



- 1 Display
- 2 Luftinntak
- 3 Håndtak
- 4 Kurv
- 5 Separator
- 6 Stekerist



## DISPLAY



NO

1. **Pommes frites**
2. **Kylling**
3. **Biff**
4. **Pizza**
5. **Digital temperatur- og tidsvisning**
6. **Fisk**
7. **Reker**
8. **Holde varm**
9. **Dehydrering**
10. **Temperaturkontroll (+ eller -)**
  - Trykk på + eller – på venstre side av kontrollpanelet for å øke eller redusere TEMPERATUREN i trinn på 5 grader.
11. **Start eller sett på pause**
  - Når programmeringen er fullført, trykker du på START eller PAUSE for å starte tilberedningsprosessen eller sette en operasjon på pause.
12. **Kontroll for venstre kurv**

**MERK:** VENSTRE eller HØYRE kurv kan programmeres uavhengig av hverandre når som helst før eller under drift.

i. Når L- eller R-kontrollen er aktiv, lyser den konstant på skjermen. Du kan når som helst justere eller legge til programmering ved å trykke på kontrollen for venstre eller høyre kurv. Når kontrollen begynner å blinke, kan TEMP og TIME justeres.

**13. Synkroniser mat**

- Sync Finish-funksjonen (synkronisert fullføring) justerer temperaturen og tilberedningstiden i hver kurv, slik at to forskjellige retter kan tilberedes samtidig.
- Både VENSTRE og HØYRE kurv må først programmeres.
- Trykk på SYNC for å sikre at begge kurvene fullfører tilberedningen samtidig. Trykk deretter på START- og PAUSE-kontrollen for å starte driften.
- Tilberedningstiden vises på venstre og høyre side, og nedtellingen starter på siden med lengst tid. Når den gjenværende tiden på venstre og høyre side er lik, begynner nedtellingen på begge sider.

**MERK:** Når tilberedningen er startet, kan ikke SYNC-funksjonen brukes.

**14. Bytte**

- Trykk på SWITCH-kontrollen for å gå til Enkel kurv uten separator.
- L/R-, SYNC- og DUAL COOK-kontrollene lyser ikke. Kun én innstilt TID og TEMPERATUR vises.

**15. Dobbel tilberedning**

- Dual Cook-funksjonen lar deg velge samme program og innstillinger for begge kurvene samtidig. Trykk på dual cook, velg program, tid og temperaturinnstillinger for begge kurvene.

**16. Kontroll for høyre kurv****17. På/av-kontroll**

- Når airfryeren er koblet til strøm, høres en lyd og PÅ/AV-bryteren lyser opp for å indikere at enheten er slått på.
- Når du trykker på ON/OFF, høres en lyd og alle kontrollene lyser opp.
- Når driften er i gang, trykker du på PÅ/AV-knappen for å slå AV kontrollene for både VENSTRE og HØYRE kurv.

**18. Tidsstyring (+ eller -)**

- Trykk på + eller – på høyre side av kontrollpanelet for å øke eller redusere TIDEN i trinn på 1 minutt.

**MERK:** Ved bruk av DEHYDRERING vil TIDEN økes eller reduseres i trinn på 1 time.

NO

## PROGRAMMER

| Program       | Plassering i displayet | Temp | Tid | Tid ved dobbel tilberedning | Temp. område | Tidsintervall | Ristepåminnelse | Forvarming |
|---------------|------------------------|------|-----|-----------------------------|--------------|---------------|-----------------|------------|
| Pommes frites | 1                      | 200  | 18  | 23                          | 80–200       | 1–60          | Ja              | Ja         |
| Kylling       | 2                      | 200  | 20  | 25                          | 80–200       | 1–60          | Ja              | Ja         |
| Biff          | 3                      | 180  | 15  | 19-                         | 80–200       | 1–60          | Ja              | Ja         |
| Pizza         | 4                      | 200  | 11  | 13                          | 80–200       | 1–60          | Nei             | Ja         |
| Fisk          | 5                      | 190  | 10  | 12                          | 80–200       | 1–60          | Ja              | Ja         |
| Reker         | 6                      | 180  | 10  | 12                          | 80–200       | 1–60          | Ja              | Ja         |
| Holde varm    | 7                      | 80   | 30  | 30                          | 70–100       | 1–60          | Nei             | Nei        |
| Tørking       | 8                      | 70   | 6 t | 6 t                         | 30–100       | 1–1440        | Nei             | Nei        |

NO

Hvis du vil endre temperatur- og tidsinnstillingene permanent for et program, velger du programmet, stiller inn ønsket tid og temperatur, og trykker og holder inne **— + ▷** i 2 sekunder for å angi endringene. Innstillingene bekreftes med en lang pipelyd.

## FØR BRUK

1. Fjern all emballasje.
2. Rengjør alle avtakbare deler grundig med mild såpe og vann.
  - a. Avtakbar kurv, stekerist og separator.
3. Bruk en fuktig klut til å rengjøre innsiden og utsiden av airfryeren, og tørk deretter av med en tørr klut. Hoveddelen av airfryeren må IKKE senkes i vann.
4. Etter rengjøring tørker du av alle avtakbare deler og plasserer dem i airfryeren. **NOTE:** Ved første gangs bruk kan det avgis en svak lukt fra den doble airfryeren. Dette er normalt og påvirker ikke smaken på maten.

## BRUK

## TILBEREDNING MED 11-LITERS KURV

1. Sett støpselet i stikkontakten. PÅ/AV-bryteren lyser hvitt.
2. Legg maten på stekeristen i kurven uten separatorene.  
**ADVARSEL:** Må IKKE overfylles. For å sikre riktig tilberedning og luftsirkulasjon må kurven ALDRI fylles mer enn 2/3.  
**MERK:** Ved luftsteking av ferske grønnsaker anbefales det å ikke legge mer enn 2 til 3 kopper mat i kurven.
3. Sett kurven inn i airfryeren.
4. Trykk på PÅ/AV-kontrollen. Kontrollpanelet lyser.
5. Trykk på Switch (bytt).  
**MERK:** L-, R-, Sync- og Dual Cook-knappene slutter å lyse. Sync-knappene slutter å lyse.
6. Trykk på ønsket tilberedningsfunksjon. Standard tilberedningstid og temperatur blinker.
7. Juster om nødvendig tilberedningstiden og temperaturen med knappene + eller –.  
**MERK:** Under innstillingen Dehydrering kan tiden justeres i trinn på 1 time.
8. Trykk på start/pause-knappen for å starte tilberedningsprosessen.  
**MERK:** For å sette tilberedningen på pause trykker du på start/pause-knappen. For å gjenoppta tilberedningen igjen trykker du på start/pause-knappen.  
**MERK:** Når to tredjedeler av tilberedningstiden er gått, vil airfryeren pipe og displayet vise "trn food" (snu mat) som en påminnelse om at det er på tide å riste eller snu maten for jevn tilberedning.
9. Når den gjenværende tiden er 00:00, viser displayet "End". Airfryeren piper 2 ganger og slår seg av.

NO

## TILBEREDNING MED BEGGE KURVENE

1. Sett støpselet i stikkontakten. PÅ/AV-bryteren lyser hvitt.
2. Plasser maten på stekeristen i kurven med separatorene.  
**ADVARSEL:** Må IKKE overfylles. For å sikre riktig tilberedning og luftsirkulasjon må kurven ALDRI fylles mer enn 2/3.  
**MERK:** Ved luftsteking av ferske grønnsaker anbefales det å ikke legge mer enn 2 til 3 kopper mat i kurven.
3. Sett kurven inn i airfryeren.
4. Trykk på PÅ/AV-kontrollen. Kontrollpanelet lyser.
5. Trykk på L-knappen for å stille inn tilberedningsprosessen for maten i venstre kurv.
6. Trykk på ønsket tilberedningsfunksjon. Standard tilberedningstid og temperatur blinker.

7. Juster om nødvendig tilberedningstiden og temperaturen med knappene + eller –.
8. Trykk på R-knappen for å stille inn tilberedningsprosessen for maten i høyre kurv.
9. Trykk på ønsket tilberedningsfunksjon. Standard tilberedningstid og temperatur blinker.
10. Juster om nødvendig tilberedningstiden og temperaturen med knappene + eller –.  
**MERK:** Trykk på Sync-knappen for å synkronisere tilberedningstiden i hver kurv, slik at begge rettene blir ferdige samtidig.
11. Trykk på start/pause-knappen for å starte tilberedningsprosessen.  
**MERK:** For å sette tilberedningen på pause trykker du på start/pause-knappen. For å gjenoppta tilberedningen igjen trykker du på start/pause-knappen. **MERK:** Når to tredjedeler av tilberedningstiden er gått, vil airfryeren pipe og displayet vise "trn food" (snu mat) som en påminnelse om at det er på tide å riste eller snu maten for jevn tilberedning.
12. Når den gjenværende tiden er 00:00, viser displayet "End". Airfryeren piper 2 ganger og slår seg av.

NO

## TILBEREDNING MED BARE ÉN KURV

1. Sett støpselet i stikkkontakten. PÅ/AV-bryteren lyser hvitt.
2. Plasser maten på stekeristen i kurven med separatoren.  
**ADVARSEL:** Må IKKE overfylles. For å sikre riktig tilberedning og luftsirkulasjon må kurven ALDRI fylles mer enn 2/3.  
**MERK:** Ved luftsteking av ferske grønnsaker anbefales det å ikke legge mer enn 2 til 3 kopper mat i kurven.
3. Sett kurven inn i airfryeren.
4. Trykk på PÅ/AV-kontrollen. Kontrollpanelet lyser.
5. Trykk på L- eller R-knappen for å stille inn tilberedningsprosessen for maten i ønsket kurv.
6. Trykk på ønsket tilberedningsfunksjon. Standard tilberedningstid og temperatur blinker.
7. Juster om nødvendig tilberedningstiden og temperaturen med knappene + eller –.
8. Trykk på start/pause-knappen for å starte tilberedningsprosessen.  
**MERK:** For å sette tilberedningen på pause trykker du på start/pause-knappen. For å gjenoppta tilberedningen igjen trykker du på start/pause-knappen. **MERK:** Når to tredjedeler av tilberedningstiden er gått, vil airfryeren pipe og displayet vise "trn food" (snu mat) som en påminnelse om at det er på tide å riste eller snu maten for jevn tilberedning.
9. Når den gjenværende tiden er 00:00, viser displayet "End". Airfryeren piper 2 ganger og slår seg av.



## GARANTI

NO

Wilfa gir 5 års garanti på dette produktet fra kjøpsdatoen. Garantien dekker produksjonsfeil eller defekter som oppstår i garantiperioden. Kjøpskvitningen fungerer som bevis overfor forhandleren ved eventuelle garantikrav.

Garantien gjelder kun for produkter som er kjøpt og brukt i privathusholdning. Garantien ugyldiggjøres hvis produktet brukes kommersielt. Garantien er ikke gyldig hvis produktet misbrukes, ved uaktsom bruk eller hvis du ikke følger instruksjonene fra Wilfa, eller ved uautoriserte modifikasjoner og reparasjoner. Garantien dekker heller ikke normal bruksslitasje på produktet, misbruk, mangel på vedlikehold, bruk av feil elektrisk spenning eller:

- Overbelastning av produktet
- Vanlige slitedeler
- Deler som må skiftes ut regelmessig (f.eks. filter, batteri osv.)

**Bruksanvisningen er også tilgjengelig på nettstedet vårt: [wilfa.no](http://wilfa.no)**

## PRODUKTSPEKIFIKASJONER

220-240V~50/60Hz 1700W

## SUPPORT OG RESERVEDELER

For support, besøk oss på **wilfa.no**, og se vår kundeservice/supportside. Her finner du vanlige spørsmål, reservedeler, tips og triks, samt all kontaktinformasjon.

## GJENVINNING



Dette merket betyr at produktet ikke må deponeres med vanlig husholdningsavfall i EØS-området. For å unngå skade på miljø og mennesker, er det viktig at dette produktet gjenvinnes. Lever produktet til en miljøstasjon eller ta kontakt med butikken der du kjøpte det. De kan ta seg av produktet for gjenvinning helt kostnadsfritt.

NO

SE



SE

## INNEHÅLL

---

- 34 VIKTIGA SÄKERHETSANVISNINGAR
- 36 SÄKERHETSFÖRESKRIFTER FÖR VARMLUFTS-  
FRITÖSEN
- 38 PRODUKTÖVERSIKT
- 39 DISPLAY
- 41 PROGRAM
- 41 FÖRE ANVÄNDNING
- 42 ANVÄNDNING
- 44 GARANTI
- 45 PRODUKTSPECIFIKATIONER
- 45 SUPPORT OCH RESERVDELAR
- 45 ÅTERVINNINGSBARHET

## VIKTIGA SÄKERHETSANVISNINGAR

- Läs denna bruksanvisning noggrant före användning och spara den för framtida bruk. Den finns även på vår webbplats [wilfa.se](http://wilfa.se).
- Produkten är endast avsedd att användas inomhus och för hemmabruk. Den är inte avsedd för masstillverkning eller kommersiell användning.
- Denna apparat får inte användas av barn under 8 år. Apparaten kan användas av barn från åtta år och uppåt under förutsättning att detta sker under överinseende av en vuxen. Förvara apparaten och nätkabeln utom räckhåll för barn under 8 år. Denna apparat kan användas av personer med nedsatt fysisk, sensorisk eller mental förmåga, eller som saknar kunskap om eller erfarenhet av apparaten, under förutsättning att detta sker under överinseende av en ansvarig vuxen personer som förstår riskerna och ger instruktioner om hur apparaten används på ett säkert sätt. Rengöring och underhåll får inte utföras av barn. Låt aldrig barn leka med apparaten.
- Av säkerhetsskäl måste en skadad elkabel bytas ut av tillverkaren, dennes servicerepresentant eller motsvarande.
- Stäng av apparaten och dra ur kontakten före rengöring, underhåll eller omplacering och när den inte används.

SE

- Dessa ytor riskerar att bli heta under användning.
- Efter en längre tids användning är värmezonen för induktionsvärmeplattan fortfarande varm. Vidrör aldrig den keramiska ytan för att undvika brännskador.
- Sänk aldrig ner någon del av apparaten i vatten eller annan vätska.
- Sänk aldrig ned huvudenheten, som innehåller elektriska komponenter och värmeelement, i vatten eller skölj under kranen.
- Låt inte vatten eller annan vätska komma in i apparaten för att förhindra elstötar.
- Täck inte över luftintaget och luftutloppsöppningarna när apparaten är i drift.
- Vidrör aldrig insidan av apparaten när den är igång.
- Håll nätsladden borta från heta ytor.
- Anslut aldrig apparaten till en extern timer eller ett separat fjärrstyrningssystem för att undvika farliga situationer.
- Dra genast ut stickkontakten om du ser mörk rök komma ut ur apparaten. Vänta tills röken har upphört innan du tar bort pannan från apparaten.

SE

- Var uppmärksam på risk för skållning där det finns en symbol för hög temperatur.

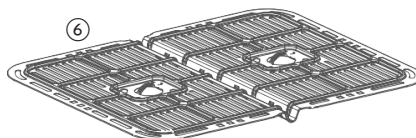
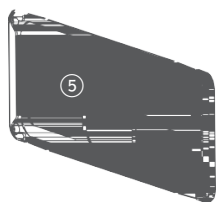
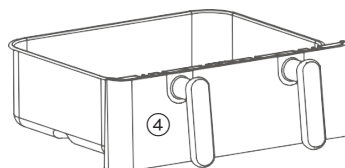
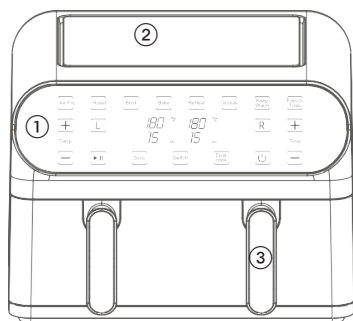
#### SÄKERHETSFÖRESKRIFTER FÖR VARMLUFTSFRITÖSEN

- Lägg alltid ingredienserna som ska friteras i korgen så att de inte kommer i kontakt med värmeelementen.
- Fyll inte pannan med olja eftersom det kan utgöra en brandrisk.
- Under luftfriteringen frigörs het ånga genom luftutloppet. Håll händer och ansikte på säkert avstånd från ångan och luftutloppsöppningarna. Var också försiktig med het ånga och luft när du tar ut pannan ur apparaten.

SE

SE

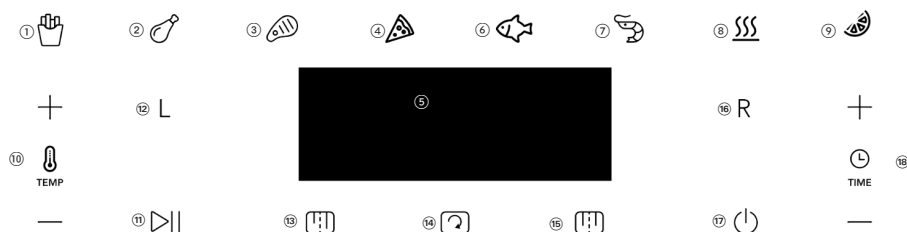
## PRODUKTÖVERSIKT



SE

- 1 Display
- 2 Luftintag
- 3 Handtag
- 4 Korg
- 5 Avdelare
- 6 Stekgaller

## DISPLAY



1. **Pommes frites**
2. **Kyckling**
3. **Biff**
4. **Pizza**
5. **Dubbla digitala displayer för temperatur och tid**
6. **Fisk**
7. **Räkor**
8. **Varmhållning**
9. **Torkning**
10. **Temperaturjustering (+ eller -)**

- Tryck på+ eller – till vänster om kontrollpanelen för att höja eller sänka temperaturen i steg om 5 grader.

### 11. **Starta eller pausa**

- När du har gjort önskade inställningar trycker du på START/PAUS-knappen för att starta tillagningsprocessen respektive för att pausa en vald åtgärd under drift.

### 12. **Vänster korg**

**OBS!** Du kan när som helst före eller under drift göra inställningar separat för VÄNSTER respektive HÖGER korg.

i. Kontrolllampan i knappen för vänster (L) respektive höger (R) korg lyser med fast sken i displayen när den är aktiv. Du kan när som helst justera eller göra nya inställningar genom att trycka på knappen för önskad korg, L för vänster och R för höger. När kontrollampan i knappen börjar blinka kan du justera inställningarna för temperatur (TEMP) och tid (TIME).

SE

### 13. Sync Finish-funktion

- Med Sync Finish-funktionen justeras temperaturen och tillagningstiden separat i respektive korg så att du kan tillaga två olika rätter samtidigt.
- Först måste du göra önskade inställningar för VÄNSTER respektive HÖGER korg.
- Tryck på SYNC-knappen för att säkerställa att tillagningen av maten i de båda korgarna synkroniseras så att rätterna är klara samtidigt. Tryck sedan på START/ PAUS-knappen för att starta tillagningen.
- Tillagningstiden visas på vänster (L) respektive höger (R) sida av displayen och nedräkningen börjar på den sida där tillagningen kräver längst tid. När den återstående tiden på vänster (L) och höger (R) sida är lika lång fortsätter nedräkningen på båda sidor.

**OBS!** När tillagningsprocessen väl har startat går det inte längre att använda SYNC-knappen.

### 14. Växla

- Tryck på SWITCH-knappen för att växla till tillagning i en korg, utan avdelare.
- Kontrolllamporna i L-, R-, SYNC- och DUALCOOK-knapparna tänds inte. I displayen visas endast en uppsättning knappar för inställning av tid och temperatur.

### 15. Dual Cook-funktion

- Dual Cook-funktionen låter dig välja samma program och inställningar för båda korgarna samtidigt. Tryck på dual cook, välj program, tid och temperaturinställningar för båda korgarna.

### 16. Höger korg

### 17. Strömbrytare

- När varmluftfritösens stickkontakt ansluts till ett eluttag avges en ljudsignal samtidigt som kontrollampan i strömbrytaren tänds vilket indikerar att varmluftsfritösen är påslagen.
- När du trycker på strömbrytaren avges en ljudsignal och alla kontrollampor tänds.
- Under drift trycker du på strömbrytaren för att stänga av alla inställningsalternativ för både vänster och höger korg.

### 18. Inställning av tid (+ eller -)



- Tryck på + eller - på höger sida av kontrollpanelen för att öka eller minska tillagningstiden i steg om 1 minut.

**OBS!** Vid användning av torkningsfunktionen ökar eller minskar tiden i steg om 1 timme.



## PROGRAM

| Program       | Läge på displayen | Temp | Tid | Dual Cook-tid | Temp. intervall | Tidsintervall | Skakpåminnelse | Förvärmning |
|---------------|-------------------|------|-----|---------------|-----------------|---------------|----------------|-------------|
| Pommes frites | 1                 | 200  | 18  | 23            | 80–200          | 1–60          | Ja             | Ja          |
| Kyckling      | 2                 | 200  | 20  | 25            | 80–200          | 1–60          | Ja             | Ja          |
| Biff          | 3                 | 180  | 15  | 19            | 80–200          | 1–60          | Ja             | Ja          |
| Pizza         | 4                 | 200  | 11  | 13            | 80–200          | 1–60          | Nej            | Ja          |
| Fisk          | 5                 | 190  | 10  | 12            | 80–200          | 1–60          | Ja             | Ja          |
| Räkor         | 6                 | 180  | 10  | 12            | 80–200          | 1–60          | Ja             | Ja          |
| Varmhållning  | 7                 | 80   | 30  | 30            | 70–100          | 1–60          | Nej            | Nej         |
| Torkning      | 8                 | 70   | 6 h | 6 h           | 30–100          | 1–1440        | Nej            | Nej         |

För att ändra temperatur- och tidsinställningarna permanent i ett program väljer du aktuellt program, ställer in önskad tid och temperatur, trycker på och håller ner  +  i 2 sekunder för att göra ändringarna. Ändringarna bekräftas med en lång ljudsignal.

SE

## FÖRE ANVÄNDNING

1. Ta bort allt förpackningsmaterial.
2. Rengör alla löstagbara delar noggrant med en lösning av mildt diskmedel och vatten.
  - a. Uttagbar korg, stekgaller och avdelare.
3. Använd en fuktad trasa för att torka av insidan och utsidan av varmlufts-fritösen och en torr trasa för att torka av den. SÄNK ALDRIG ner själva fritösenheten i vatten.
4. Efter rengöring, torkar du av och sätter tillbaka alla löstagbara delar i varmlufts-fritösen. **OBS!** Vid första användningen kan varmlufts-fritösen avge en svag doft. Detta är normalt och påverkar inte smaken på de livsmedel som tillagas.

## ANVÄNDNING

### TILLAGNING MED EN KORG PÅ 11 LITER

1. Anslut stickkontakten till eluttaget. Kontrolllampan i strömbrytaren tänds och lyser vitt.
2. Lägg maten på stekgallret i korgen utan avdelaren. **WARNING!** Överfyll INTE. För att säkerställa korrekt tillagning och luftcirkulation får korgen ALDRIG fyllas till mer än 2/3. **OBS!** Vid luftfritering av färska grönsaker rekommenderar vi att korgen fylls med max 4–6 dl.
3. Sätt in korgen i varmluftsfritösen.
4. Tryck på strömbrytaren. Displayen med alla knappar tänds.
5. Tryck på Switch-knappen. **OBS!** Kontrolllamporna i L-, R-, Sync- och Dual Cook-knapparna släcks. Kontrolllamporna för synkroniseringsknapparna släcks.
6. Tryck på önskad tillagningsfunktion. Standardtid och -temperatur för tillagningen blinkar.
7. Justera vid behov tiden och temperaturen för tillagningen med knapparna + eller -. **OBS!** Vid användning av torkningsfunktionen justeras tiden i steg om 1 timme.
8. Tryck på START/PAUS-knappen för att starta tillagningen. **OBS!** Om du vill pausa tillagningsprocessen trycker du åter på START/PAUS-knappen. Tryck på START/PAUS-knappen för att fortsätta tillagningen efter pausen. **OBS!** När två tredjedelar av tillagningsprocessen är avklarad, avger varmluftsfritösen en ljudsignal samtidigt som meddelandet "trn mat" visas i displayen. Detta är en påminnelse om att det är dags att skaka eller vända på maten för jämn tillagning.
9. När återstående tid når 00:00 visas "End" i displayen, 2 ljudsignaler avges och varmluftsfritösen stängs av.

SE

### TILLAGNING MED TVÅ KORGAR

1. Anslut stickkontakten till eluttaget. Kontrolllampan i strömbrytaren tänds och lyser vitt.
2. Lägg maten på stekgallret i korgen utan avdelaren. **WARNING!** Överfyll INTE. För att säkerställa korrekt tillagning och luftcirkulation får korgen ALDRIG fyllas till mer än 2/3. **OBS!** Vid luftfritering av färska grönsaker rekommenderar vi att korgen fylls med max 4–6 dl.
3. Sätt in korgen i varmluftsfritösen.
4. Tryck på strömbrytaren. Displayen med alla knappar tänds.
5. Tryck på L-knappen för att ställa in tillagningsprocessen för livsmedlet i vänster korg.
6. Tryck på önskad tillagningsfunktion. Standardtid och -temperatur för tillagningen blinkar.

7. Justera vid behov tiden och temperaturen för tillagningen med knapparna + eller -.
8. Tryck på R-knappen för att ställa in tillagningsprocessen för livsmedlet i höger korg.
9. Tryck på önskad tillagningsfunktion. Standardtid och -temperatur för tillagningen blinkar.
10. Justera vid behov tiden och temperaturen för tillagningen med knapparna + eller -. **OBS!** Tryck på SYNC-knappen för att synkronisera tillagningstiden i de båda korgarna så att båda rätterna blir färdiga samtidigt.
11. Tryck på START/PAUS-knappen för att starta tillagningen. **OBS!** Om du vill pausa tillagningsprocessen trycker du åter på START/PAUS-knappen. Tryck på START/PAUS-knappen för att fortsätta tillagningen efter pausen. **OBS!** När två tredjedelar av tillagningsprocessen är avklarad, avger varmluftsfritysen en ljudsignal samtidigt som meddelandet "trn mat" visas i displayen. Detta är en påminnelse om att det är dags att skaka eller vända på maten för jämn tillagning.
12. När återstående tid når 00:00 visas "End" i displayen, 2 ljudsignaler avges och varmluftsfritysen stängs av.

#### TILLAGNING MED ENDAST EN KORG

1. Anslut stickkontakten till eluttaget. Kontrollampen i strömbrytaren tänds och lyser vitt.
2. Lägg maten på stekgallret i korgen utan avdelaren. **VARNING!** Överfyll INTE. För att säkerställa korrekt tillagning och luftcirkulation får korgen ALDRIG fyllas till mer än 2/3. **OBS!** Vid luftfritering av färska grönsaker rekommenderar vi att korgen fylls med max 4–6 dl.
3. Sätt in korgen i varmluftsfritysen.
4. Tryck på strömbrytaren. Displayen med alla knappar tänds.
5. Tryck på L- eller R-knappen för att ställa in tillagningsprocessen för livsmedlet i aktuell korg.
6. Tryck på önskad tillagningsfunktion. Standardtid och -temperatur för tillagningen blinkar.
7. Justera vid behov tiden och temperaturen för tillagningen med knapparna + eller -.
8. Tryck på START/PAUS-knappen för att starta tillagningen. **OBS!** Om du vill pausa tillagningsprocessen trycker du åter på START/PAUS-knappen. Tryck på START/PAUS-knappen för att fortsätta tillagningen efter pausen. **OBS!** När två tredjedelar av tillagningsprocessen är avklarad, avger varmluftsfritysen en ljudsignal samtidigt som meddelandet "trn mat" visas i displayen. Detta är en påminnelse om att det är dags att skaka eller vända på maten för jämn tillagning.
9. När återstående tid når 00:00 visas "End" i displayen, 2 ljudsignaler avges och varmluftsfritysen stängs av.

SE



## GARANTI

Wilfa ger en garanti på fem (5) år på denna produkt från och med inköpsdatum. Garantin täcker tillverkningsfel eller defekter som uppstår under garantiperioden. Ditt inköpskvitto fungerar som bevis gentemot återförsäljaren om du åberopar garanti.

SE

Garantin gäller endast produkter som köps och används för privat bruk, för normala hushållsändamål. Garantin gäller inte om produkten används för kommersiella ändamål. Garantin gäller inte om produkten används felaktigt eller oaktsamt, om du underlåter att följa Wilfas anvisningar, om produkten har modifierats eller om reparation har utförts av en icke auktoriserad person/verkstad. Garantin omfattar vidare inte fel som uppstår till följd av normalt slitage, felaktig användning, bristande underhåll eller felaktig elektrisk spänning eller:

- Överbelastning av produkten
- Delar som normalt slits
- Delar som du kan förvänta dig ska bytas ut regelbundet (t.ex. filter, batteri)

**Bruksanvisningen finns även på vår hemsida [wilfa.se](http://wilfa.se)**

## PRODUKTSPECIFIKATIONER

220-240V~50/60Hz 1700W

## SUPPORT OCH RESERVDELAR

För support besök oss på **wilfa.se** och se vår kundservice-/supportside. Här hittar du svar på vanliga frågor, reservdelar, tips och tricks och all vår kontaktinformation.

## ÅTERVINNINGSBARHET



Denna märkning anger att produkten inte får kastas med vanligt hushållsavfall inom EU. För att förhindra skador på miljö och människor ska produkten lämnas in och återvinnas i enlighet med gällande miljöbestämmelser. Den uttjänta produkten kan lämnas på angivna återvinningsanläggningar eller lämnas till din lokala återförsäljare. Där kan du lämna produkten för miljövänlig återvinning gratis.

SE

DK

## INDHOLD

---

- 48 VIGTIGE SIKKERHEDSANVISNINGER
- 50 SIKKERHEDSFORANSTALTNINGER FOR DIN AIRFRYER
- 52 PRODUKTOVERSIGT
- 53 DISPLAY
- 55 PROGRAMMER
- 55 FØR BRUG
- 56 BRUG
- 58 GARANTI
- 59 PRODUKTSPECIFIKATIONER
- 59 SUPPORT OG RESERVEDELE
- 59 GENANVENDELIGHED

DK

## VIGTIGE SIKKERHEDSANVISNINGER

- Læs denne vejledning grundigt inden brug, og gem den til fremtidig reference. Den er også tilgængelig på vores hjemmeside; wilfa.com.
- Dette produkt er kun beregnet til indendørs, ikke-industrielt, ikke-kommercielt husholdningsbrug.
- Dette apparat må ikke anvendes af børn fra 0 til 8 år. Dette apparat kan anvendes af børn fra 8 år, hvis de er under konstant opsyn. Apparat og ledning skal opbevares utilgængeligt for børn, der er yngre end 8 år. Dette apparat kan benyttes af personer med begrænsede fysiske, sensoriske eller mentale evner eller mangel på erfaring og viden, hvis de har fået vejledning eller instruktion i brug af apparatet på en sikker måde og forstår risikoen. Rengøring og vedligeholdelse må ikke foretages af børn. Børn må ikke lege med apparatet.
- Hvis strømledningen er beskadiget, skal den udskiftes af producenten, en fagmand eller lignende kvalificerede personer for at undgå farlige situationer.
- Sluk for apparatet, og træk stikket ud før rengøring, vedligeholdelse eller flytning, og når det ikke er i brug.
- Overfladerne kan blive varme under brug.

DK



- Efter lang tids brug er opvarmningszonen på induktionskogepladen stadig varm. Rør aldrig ved den keramiske overflade for at undgå forbrænding.
- Undlad at nedsænke nogen dele af apparatet i vand eller anden væske.
- Nedsenk aldrig kabinettet, der indeholder elektriske komponenter og varmeelementer, i vand, og skyl det ikke under vandhanen.
- Lad ikke vand eller anden væske trænge ind i apparatet for at forhindre elektrisk stød.
- Dæk ikke åbningerne til luftindtag og luftudtag, mens apparatet er i brug.
- Rør aldrig ved apparatets inderside, mens det er i brug.
- Ledningen må ikke komme i kontakt med varme overflader.
- Tilslut aldrig apparatet til en ekstern timer eller et separat fjernbetjeningssystem for at undgå farlige situationer.
- Tag straks stikket ud af stikkontakten, hvis du ser mørk røg komme ud af apparatet. Vent på, at røgen stopper, inden du fjerner panden fra apparatet.
- Vær opmærksom på skoldning, hvor der er et symbol for høj temperatur.

DK

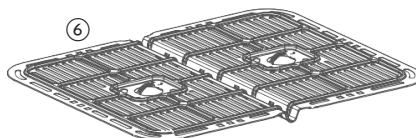
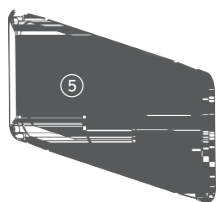
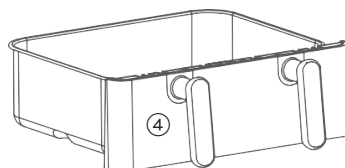
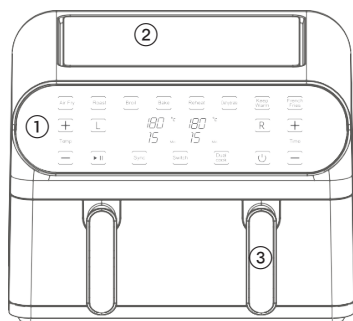
## SIKKERHEDSFORANSTALTNINGER FOR DIN AIRFRYER

- Kom altid de ingredienser, der skal steges, i kurven for at undgå, at de kommer i kontakt med varmeelementerne.
- Fyld ikke panden med olie, da det kan medføre brandfare.
- Under airfrying frigives varm damp gennem luftudtagene. Hold hænder og ansigt på sikker afstand af dampen og luftudtagene. Vær også forsigtig med varm damp og luft, når du tager panden af apparatet.

DK

DK

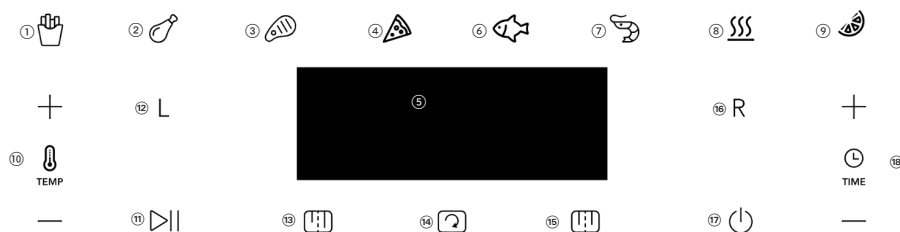
## PRODUKTOVERSIGT



DK

- 1 Display
- 2 Luftindtag
- 3 Håndtag
- 4 Kurv
- 5 Separator
- 6 Stegestativ

## DISPLAY



1. **Pommes frites**
2. **Kylling**
3. **Steak**
4. **Pizza**
5. **Dobbelt digitalt temperatur- og tidsdisplay**
6. **Fisk**
7. **Rejer**
8. **Hold varm**
9. **Dehydrering**
10. **Temperaturstyring (+ eller -)**

- Tryk på + eller – på venstre side af kontrolpanelet for at øge eller reducere TEMP i trin på 5 grader.

11. **Start eller pause**

- Når programmeringen er afsluttet, skal du trykke på START og PAUSE for at starte tilberedningen eller sætte evt. proces på pause.

12. **Styring af venstre kurv**

**BEMÆRK:** VENSTRE og HØJRE kurv kan programmeres uafhængigt når som helst før eller under betjening.

i. Kontrollamperne L eller R lyser konstant på skærmen, når de er aktive. Hvis du vil justere eller tilføje programmering, trykker du på L eller R kurvestyring. Når kontrollampen begynder at blinke, kan du justere temperatur og tid.

DK

**13. Synkroniser mad**

- Sync Finish-funktionen justerer temperatur og tilberedningstid uafhængigt i kurvene, så du kan tilberede forskellige retter samtidig.
- Både VENSTRE og HØJRE kurv skal først programmeres.
- Tryk på SYNC for at sikre, at begge kurve afslutter tilberedningen samtidig. Tryk derefter på START og PAUSE for at starte tilberedningen.
- Tilberedningstid kan ses på venstre og højre side, og nedtællingen starter i siden med længst tilberedningstid. Når den resterende tid i venstre og højre side er ens, vil nedtællingen fortsætte i begge sider.

**BEMÆRK:** Når tilberedningen er startet, kan SYNC-funktionen ikke længere ændres.

**14. Switch**

- Tryk på SWITCH for at vælge en kurv uden separator.
- L/R, SYNC og DUAL COOK lyser ikke. Der vises kun et sæt af TIME og TEMPERATURE i displayet.

**15. Dual cook**

- Dual Cook-funktionen giver dig mulighed for at vælge det samme program og indstillinger for begge kurve på samme tid. Tryk på dual cook, vælg program, tid og temperaturindstillinger for begge kurve.

**16. Styring af højre kurv****17. On/off**

- Når Airfryeren er tilsluttet, lyder en tone, og ON/OFF lyser for at indikere, at enheden er tændt.
- Når du trykker på ON/OFF, lyder en tone, og alle knapperne lyser.
- Hvis tilberedningen er i gang, trykker du på ON/OFF for at slukke for både venstre og højre kurv.

**18. Timerstyring (+ eller -)**

- Tryk på + eller - på højre side af kontrolpanelet for at øge eller reducere TIME i trin på 1 minut.

**BEMÆRK:** Når du bruger DEHYDRATE, øges eller redigeres TIME i trin af 1 time.

## PROGRAMMER

| Program       | Placering på displayet | Temperatur | Tid | Dobbelt tilberedningstid | Temperaturområde | Timerperiode | Rystepåmindelse | Forvarmning |
|---------------|------------------------|------------|-----|--------------------------|------------------|--------------|-----------------|-------------|
| Pommes frites | 1                      | 200        | 18  | 23                       | 80-200           | 1-60         | Ja              | Ja          |
| Kylling       | 2                      | 200        | 20  | 25                       | 80-200           | 1-60         | Ja              | Ja          |
| Steak         | 3                      | 180        | 15  | 19                       | 80-200           | 1-60         | Ja              | Ja          |
| Pizza         | 4                      | 200        | 11  | 13                       | 80-200           | 1-60         | Nej             | Ja          |
| Fisk          | 5                      | 190        | 10  | 12                       | 80-200           | 1-60         | Ja              | Ja          |
| Rejer         | 6                      | 180        | 10  | 12                       | 80-200           | 1-60         | Ja              | Ja          |
| Hold varm     | 7                      | 80         | 30  | 30                       | 70-100           | 1-60         | Nej             | Nej         |
| Dehydrering   | 8                      | 70         | 6 t | 6 t                      | 30-100           | 1-1440       | Nej             | Nej         |

Hvis du vil ændre temperatur- og timerindstilling permanent, vælger du program, din ønskede tid, og temperatur og trykker på **— + ▷||** og holder den nede i 2 sekunder for at vælge ændringerne. Indstillingen bekræftes med et langt bip.

## FØR BRUG

1. Fjern alt emballagemateriale.
2. Rengør alle aftagelige dele grundigt med mild sæbe og vand.
  - a. Udtagelig kurv, stegestativ og separator.
3. Brug en fugtig klud til at tørre inderside og yderside af airfryeren af, og en tør klud til at tørre efter med. Nedsænk IKKE motorenheden i vand.
4. Efter rengøring skal de aftagelige dele tørres og anbringes i airfryeren.  
**BEMÆRK:** Når du bruger Dual Air Fryer første gang, kan den udsende en svag lugt. Det er normalt og påvirker ikke madens smag.

DK

## BRUG

### TILBEREDNING MED 11 L KURV

1. Sæt stikket i en stikkontakt. ON/OFF lyser hvidt.
2. Placer mad på stegestativet i kurven uden separator.  
**ADVARSEL:** Fyld IKKE for meget i. For at sikre ordentlig tilberedning og luftcirkulation må du ALDRIG fylde en kurv mere end 2/3.  
**BEMÆRK:** Når du tilbereder friske grøntsager i airfryeren, bør du ikke tilsætte mere end 2 til 3 kopper mad i kurven.
3. Sæt kurven i airfryeren.
4. Tryk på ON/OFF. Kontrolpanelet lyser.
5. Tryk på Switch.  
**BEMÆRK:** L, R, Sync og Dual Cook slukker. Sync-knapperne slukker.
6. Tryk på den ønskede tilberedningsfunktion. Standard tilberedningstid og temperatur blinker.
7. Om nødvendigt kan tilberedningstid og temperatur justeres med + eller -  
**BEMÆRK:** Under dehydrering, kan timeren justeres i trin på 1 time.
8. Tryk på start/pause for at starte tilberedningen.  
**BEMÆRK:** Tryk på start/pause for at sætte tilberedningen på pause. Tryk på start/pause for at genoptage tilberedningen.  
**BEMÆRK:** To tredjedele inde i tilberedningstiden bipper airfryeren, og displayet viser "Trn food" (vend maden), for at minde dig om at ryste eller vende maden for ensartet tilberedning.
9. Når den resterende tid når til 00.00, viser displayet "End", airfryeren bipper 2 gange og slukker.

DK

### TILBEREDNING I BEGGE KURVE

1. Tilslut airfryeren til en stikkontakt. ON/OFF lyser hvidt.
2. Placer mad på stegestativet i kurven med separator.  
**ADVARSEL:** Fyld IKKE for meget i. For at sikre ordentlig tilberedning og luftcirkulation må du ALDRIG fylde en kurv mere end 2/3.  
**BEMÆRK:** Når du tilbereder friske grøntsager i airfryeren, bør du ikke tilsætte mere end 2 til 3 kopper mad i kurven.
3. Sæt kurven i airfryeren.
4. Tryk på ON/OFF. Kontrolpanelet lyser.
5. Tryk på L for at indstille tilberedning i venstre kurv.
6. Tryk på den ønskede tilberedningsfunktion. Standard tilberedningstid og temperatur blinker.
7. Om nødvendigt kan tilberedningstid og temperatur justeres med + eller -.
8. Tryk på R for at indstille tilberedning i højre kurv.



9. Tryk på den ønskede tilberedningsfunktion. Standard tilberedningstid og temperatur blinker.
10. Om nødvendigt kan tilberedningstid og temperatur justeres med + eller -  
**BEMÆRK:** Tryk på Sync for at synkronisere tilberedningstiden i de to kurve, så begge retter er færdige samtidig.
11. Tryk på start/pause for at starte tilberedningen.  
**BEMÆRK:** Tryk på start/pause for at sætte tilberedningen på pause. Tryk på start/pause for at genoptage tilberedningen.  
**BEMÆRK:** To tredjedele inde i tilberedningstiden bipper airfryeren, og displayet viser "Trn food" (vend maden), for at minde dig om at ryste eller vende maden for ensartet tilberedning.
12. Når den resterende tid når til 00.00, viser displayet "End", airfryeren bipper 2 gange og slukker.

#### TILBEREDNING I EN ENKELT KURV

1. Tilslut airfryeren til en stikkontakt. ON/OFF lyser hvidt.
2. Placer mad på stegestativet i kurven med separator.  
**ADVARSEL:** Fyld IKKE for meget i. For at sikre ordentlig tilberedning og luftcirkulation må du ALDRIG fylde kurven mere end 2/3.  
**BEMÆRK:** Når du tilbereder friske grøntsager i airfryeren, bør du ikke tilsætte mere end 2 til 3 kopper mad i kurven.
3. Sæt kurven i airfryeren.
4. Tryk på ON/OFF. Kontrolpanelet lyser.
5. Tryk på L eller R for at indstille tilberedning i den ønskede kurv.
6. Tryk på den ønskede tilberedningsfunktion. Standard tilberedningstid og temperatur blinker.
7. Om nødvendigt kan tilberedningstid og temperatur justeres med + eller -.
8. Tryk på start/pause for at starte tilberedningen.  
**BEMÆRK:** Tryk på start/pause for at sætte tilberedningen på pause. Tryk på start/pause for at genoptage tilberedningen.  
**BEMÆRK:** To tredjedele inde i tilberedningstiden bipper airfryeren, og displayet viser "Trn food" (vend maden), for at minde dig om at ryste eller vende maden for ensartet tilberedning.
9. Når den resterende tid når til 00.00, viser displayet "End", airfryeren bipper 2 gange og slukker.

DK



## GARANTI

Wilfa yder 5 års garanti på dette produkt fra købsdatoen. Garantien dækker produktionsfejl eller mangler, der opstår i garantiperioden. Din kvittering fungerer som dokumentation over for forhandleren, hvis du ønsker at benytte din garanti.

Garantien gælder kun for produkter, der er købt til og bruges i private husstande. Garantien gælder ikke, hvis produktet bruges kommercielt. Garantien gælder ikke, hvis produktet er misbrugt, forsømt, vejledningen fra Wilfa ikke er fulgt, produktet er ændret, eller der er foretaget uautoriseret reparation. Garantien gælder heller ikke for normalt slid på produktet, misbrug, manglende vedligeholdelse, brug af forkert spænding eller:

DK

- Overbelastning af produktet
- Dele, der normalt bliver slidt
- Dele, der kan forventes udskiftet regelmæssigt (f.eks. filter, batteri osv.)

**Brugervejledningen er også tilgængelig på vores hjemmeside [wilfa.dk/wilfa.com](http://wilfa.dk/wilfa.com)**

## PRODUKTSPECIFIKATIONER

220-240V~50/60Hz 1700W

## SUPPORT OG RESERVEDELE

Hvis du har brug for support, kan du finde vores kundeservice/supportside på **Wilfa.com**. Her finder du ofte stillede spørgsmål, reservedele, tips og tricks og alle vores kontaktoplysninger.

## GENANVENDELIGHED



Dette mærkat angiver, at produktet ikke må bortskaffes sammen med andet husholdningsaffald nogen steder i EU. For at undgå potential skade på miljøet eller menneskers sundhed pga. ukontrolleret bortskaffelse af affald, skal produktet genanvendes på korrekt vis for at fremme bæredygtig genanvendelse af materielle ressourcer. Brug retur- og indsamlingssystemerne til genanvendelse af den brugte enhed, eller kontakt den forhandler, hvor du købte produktet. De kan tage dette produkt til en miljøvenlig genanvendelse uden beregning.

DK

FI

## SISÄLLYS

---

|    |  |
|----|--|
| 62 | TURVALLISUUSOHJEET                                   |
| 64 | KIERTOILMAKYPSENNINTÄ KOSKEVAT<br>TURVALLISUUSOHJEET |
| 66 | TUOTTEEN KUVAUS                                      |
| 67 | NÄYTTÖ   |
| 69 | OHJELMAT   |
| 69 | ENNEN KÄYTTÖÄ  |
| 70 | KÄYTTÖ   |
| 72 | TAKUU  |
| 73 | TUOTETIEDOT  |
| 73 | TUKI JA VARAOSAT                                     |
| 73 | KIERRÄTYS  |

FI

## TURVALLISUUSOHJEET

- Lue tämä käyttöohje huolellisesti ennen käyttöä ja säilytä se vastaisen varalle. Käyttöohjeen voi ladata myös kotisivuiltamme osoitteesta wilfa.fi.
- Tämä laite on tarkoitettu ainoastaan kotikäyttöön sisätiloissa. Sitä ei ole tarkoitettu teolliseen tai kaupalliseen käyttöön.
- Alle 8-vuotiaat lapset eivät saa käyttää laitetta. Kahdeksan vuotta täyttäneet lapset voivat käyttää laitetta, jos heitä valvotaan koko ajan. Säilytä laite ja sen johto alle 8-vuotiaiden lasten ulottumattomissa. Fyysisesti, henkisesti, aisteiltaan tai tietämykseltään rajoittuneet tai kokemattomat henkilöt voivat käyttää laitetta, jos heitä valvotaan tai jos heitä on neuvottu käyttämään laitetta turvallisesti ja he ymmärtävät käyttämiseen liittyvät vaarat. Lapset eivät saa puhdistaa tai huoltaa laitetta. Lapset eivät saa leikkiä laitteella.
- Jos virtajohto on vahingoittunut, se on vaaran välttämiseksi vaihdettava valmistajalla, valmistajan valtuuttamassa huoltokorjaamossa tai valtuutetulla ammattilaisella.
- Sammuta laite ja irrota pistoke pistorasiasta ennen puhdistusta, huoltoa tai laitteen siirtämistä sekä aina, kun laitetta ei käytetä.
- Pinnat voivat kuumentua käytön aikana.

- Induktiolämmityslevyn lämmitysalue pysyy kuumana jonkin aikaa pitkäaikaisen käytön jälkeen. Palovammojen välttämiseksi älä kosketa keraamista pintaa.
- Älä upota mitään laitteen osaa veteen tai muuhun nesteeseen.
- Älä koskaan upota sähkökomponentteja ja lämmityselementtejä sisältävää koteloa veteen tai huuhtele sitä juoksevan veden alla.
- Sähköiskuvaaran välttämiseksi älä päästä vettä tai muuta nestettä laitteen sisään.
- Älä peitä ilmanotto- ja poistoaukkoja laitteen ollessa käynnissä.
- Älä koskaan koske laitteen sisäosiin sen ollessa käytössä.
- Älä päästä virtajohtoa kosketuksiin kuumien pintojen kanssa.
- Vaarallisten tilanteiden välttämiseksi laitetta ei saa koskaan kytkeä ulkoiseen ajastinkytkimeen tai erilliseen kauko-ohjausjärjestelmään.
- Irrota pistoke pistorasiasta välittömästi, jos laitteesta nousee tummaa savua. Odota savun muodostumisen päättymistä ennen kuin otat vuoan pois laitteesta.

- Korkean lämpötilan symboli ilmoittaa palovammariskistä.

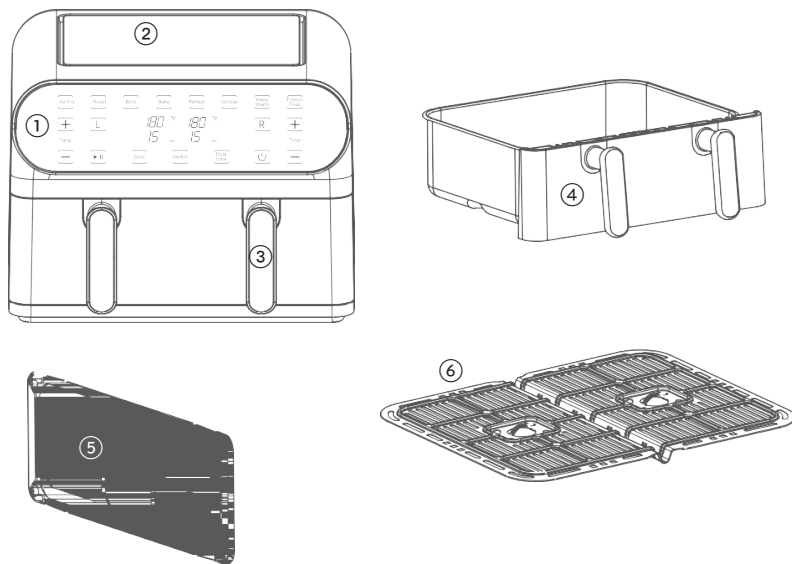
#### KIERTOILMAKYPSENNINTÄ KOSKEVAT TURVALLISUUSOHJEET

- Aseta kypsennettävät ainekset aina koriin siten, että ne eivät pääse kosketuksiin lämmityselementtien kanssa.
- Älä täytä kypsennintä öljyllä, sillä se aiheuttaa tulipalovaaran.
- Paistamisen aikana kuumaa höyryä poistuu ilmanpoistoaukon kautta. Varmista, että höyryaukon takana ei ole mitään, joka voisi vahingoittaa kuumasta höyrystä. Pidä kädet ja kasvot turvallisen etäisyyden päässä höyrystä ja ilmanpoistoaukoista. Varo kuumaa höyryä ja ilmaa myös silloin, kun poistat vuoan laitteesta.



FI

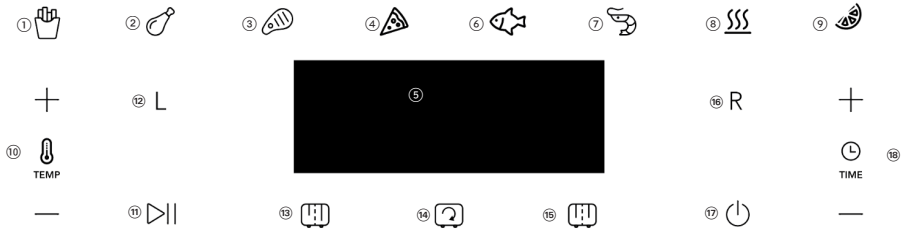
## TUOTTEEN KUVAUS



- 1 Näyttö
- 2 Ilmanotto
- 3 Kahvat
- 4 Kori
- 5 Erotin
- 6 Paistoritilä

FI

## NÄYTTÖ



1. Ranskalaiset
2. Kana
3. Pihvi
4. Pizza
5. Kaksiosainen digitaalinen lämpötila- ja aikanäyttö
6. Kala
7. Katkaravut
8. Lämpimänä pitäminen
9. Kuivaus
10. Lämpötilan säätö (+ tai -)

- Voit nostaa tai laskea lämpötilaa 5 asteen askelin painamalla plus- tai miinuspainiketta (+ tai -) ohjauspaneelin vasemmalla puolella.

### 11. Käynnistys tai keskeytys

- Kun ohjelmointi on valmis, käynnistä kypsennysprosessi tai keskeytä mikä tahansa toiminto painamalla käynnistys-/keskeytyspainiketta.

### 12. Vasemman korin hallinta

**HUOM.:** Vasen tai oikea kori voidaan ohjelmoida erikseen milloin tahansa ennen käyttöä tai käytön aikana.

i. L- tai R-painikkeen (vasen tai oikea) valo palaa jatkuvasti näytöllä, kun toiminto on käytössä. Voit muuttaa tai täydentää ohjelmointia milloin tahansa painamalla vastaavaa L- tai R-painiketta (vasen tai oikea kori). Kun painike alkaa vilkkua, voit säätää lämpötila- ja aika-asetuksia.

FI

**13. Synkronoi ruoka**

- Synkronointitoiminto säätää erikseen kunkin korin lämpötilaa ja kypsennysaikaa, jotta kaksi eri ruokalajia kypsyy valmiiksi samanaikaisesti.
- Sekä vasen että oikea kori on ensin ohjelmoitava.
- Paina synkronointipainiketta varmistaaksesi, että molempien korien sisältö valmistuu samaan aikaan. Käynnistä sen jälkeen toiminto painamalla käynnistys- ja keskeytyspainiketta.
- Kypsennysaika näkyy vasemmalla ja oikealla puolella. Kypsennys alkaa siltä puolelta, jonka valmistusaika on pidempi. Kun jäljellä oleva aika on yhtä suuri vasemmalla ja oikealla puolella, kypsennys alkaa toisellakin puolella.

**HUOM.:** Kun kypsennys on jo alkanut, synkronointitoiminto ei ole käytettävissä.

**14. Vaihto**

- Vaihtopainikkeella voit siirtyä yhden korin tilaan ilman erotinta.
- Vasen-/oikea-, synkronointi- ja kaksoiskypsennyspainikkeisiin ei syty valoa. Näytössä näkyy vain yksi aika- ja lämpötila-asetus.

**15. Kaksoiskypsennys**

- Dual Cook -toiminnon avulla voit valita saman ohjelman ja asetukset molemmille koreille samanaikaisesti. Paina kaksoispaista, valitse ohjelma, aika ja lämpötila molemmille koreille.

**16. Oikean korin hallinta****17. Virtapainike**

- Kun kiertoilmakypsennys kytketään verkkovirtaan, kuuluu äänimerkki ja virtapainikkeeseen syttyy valo. Se osoittaa, että laitteeseen on kytketty virta.
- Kun virtapainiketta painetaan, kuuluu äänimerkki ja kaikkiin painikkeisiin syttyy valo.
- Käytön aikana voit kytkeä sekä vasemman että oikean korin pois päältä painamalla virtapainiketta.




**18. Ajan säätö (+ tai -)**

- Voit lisätä tai vähentää aikaa 1 minuutin askelin painamalla plus- tai miinuspainiketta (+ tai -) ohjauspaneelin oikealla puolella.

**HUOM.:** Kuivatustoimintoa käytettäessä aika-arvoa voi lisätä tai vähentää 1 tunnin askelin.

## OHJELMAT

| Ohjelma             | Sijainti näytössä | Lämpötila | Aika | Kaksoiskypsennysaika | Lämpötilaväli | Aikaväli | Ravistusmuistutus | Esikuumennus |
|---------------------|-------------------|-----------|------|----------------------|---------------|----------|-------------------|--------------|
| Ranskalaiset        | 1                 | 200       | 18   | 23                   | 80–200        | 1–60     | Kyllä             | Kyllä        |
| Kana                | 2                 | 200       | 20   | 25                   | 80–200        | 1–60     | Kyllä             | Kyllä        |
| Pihvi               | 3                 | 180       | 15   | 19                   | 80–200        | 1–60     | Kyllä             | Kyllä        |
| Pizza               | 4                 | 200       | 11   | 13                   | 80–200        | 1–60     | Ei                | Kyllä        |
| Kala                | 5                 | 190       | 10   | 12                   | 80–200        | 1–60     | Kyllä             | Kyllä        |
| Katkaravut          | 6                 | 180       | 10   | 12                   | 80–200        | 1–60     | Kyllä             | Kyllä        |
| Lämpimänä pitäminen | 7                 | 80        | 30   | 30                   | 70–100        | 1–60     | Ei                | Ei           |
| Kuivaus             | 8                 | 70        | 6 h  | 6 h                  | 30–100        | 1–1440   | Ei                | Ei           |

Voit muuttaa ohjelman lämpötila- ja aika-asetuksia pysyvästi valitsemalla ohjelman, asettamalla haluamasi ajan ja lämpötilan sekä pitämällä    -painiketta painettuna 2 sekunnin ajan muutosten asettamiseksi. Muutos vahvistetaan pitkällä äänimerkillä.

## ENNEN KÄYTTÖÄ

- Poista kaikki pakkausmateriaalit.
- Puhdista kaikki irrotettavissa olevat osat huolellisesti miedolla saippualla ja vedellä.
  - Irrotettava kori, paistoritilä ja erotin.
- Pyyhi kiertoilmakypsentimen sisä- ja ulkopuoli kostealla liinalla ja kuivaa kuivalla liinalla. ÄLÄ upota kiertoilmakypsentimen runkoa veteen.
- Kuivaa puhdistuksen jälkeen kaikki irrotettavissa olevat osat ja aseta ne kiertoilmakypsentimeen. **HUOM.:** Kaksiosaisesta kiertoilmakypsentimestä voi ensimmäisellä käyttökerralla tulla hieman hajua. Tämä on normaalia, eikä se vaikuta ruoan makuun.

FI

## KÄYTTÖ

### KYPSENNYS 11 L KORILLA

1. Kytke johto pistorasiaan. Virtapainikkeeseen syttyy valkoinen valo.
2. Aseta ruoka paistoritilälle koriin, jossa ei ole erotinta.  
**VAROITUS:** ÄLÄ täytä liikaa. Oikean kypsymisen ja ilmankierron varmistamiseksi koria EI SAA KOSKAAN täyttää yli 2/3.  
**HUOMAA:** Kun kypsennät tuoreita vihanneksia kiertoilmakypsenninillä, älä lisää koriin enempää kuin 2–3 kuppia ruoka-aineita.
3. Aseta kori kiertoilmakypsenninille.
4. Paina virtapainiketta. Ohjauspaneeliin syttyy valo.
5. Paina kytkintä. **HUOM.:** Vasen-/oikea-, synkronointi- ja kaksoiskypsennyspainikkeiden valot sammuvat. Synkronointipainikkeet sammuvat.
6. Paina haluamaasi kypsennystoimintoa. Oletuskypsennysaika ja -lämpötila vilkkuvat.
7. Säädä kypsennysaikaa ja lämpötilaa tarvittaessa plus- tai miinuspainikkeella (+ tai -). **HUOM.:** Kuivatustoiminnossa aikaa voidaan säätää 1 tunnin askelin.
8. Käynnistä kypsennysprosessi painamalla käynnistys-/keskeytyspainiketta.  
**HUOM.:** Voit keskeyttää kypsennysprosessin painamalla käynnistys-/keskeytyspainiketta. Jatka kypsennysprosessia painamalla käynnistys-/keskeytyspainiketta.  
**HUOM.:** Kun kypsennysprosessista on kulunut kaksi kolmasosaa, kiertoilmakypsennin antaa äänimerkin ja näytössä näkyy teksti "trn food" muistutukseksi ruoan ravistamisesta/kääntämisestä tasaisen kypsymisen varmistamiseksi.
9. Kun jäljellä oleva aika on 00:00, näytössä näkyy "End", kiertoilmaliesi piippaa kaksi kertaa ja sammuu.

FI

### KYPSENNYS MOLEMMILLA KOREILLA

1. Kytke kiertoilmakypsennin johto pistorasiaan. Virtapainikkeeseen syttyy valkoinen valo.
2. Aseta ruoka paistoritilälle koriin, jossa on erotin.  
**VAROITUS:** ÄLÄ täytä liikaa. Oikean kypsymisen ja ilmankierron varmistamiseksi koria EI SAA KOSKAAN täyttää yli 2/3.  
**HUOMAA:** Kun kypsennät tuoreita vihanneksia kiertoilmakypsenninillä, älä lisää koriin enempää kuin 2–3 kuppia ruoka-aineita.
3. Aseta kori kiertoilmakypsenninille.
4. Paina virtapainiketta. Ohjauspaneeliin syttyy valo.
5. Määritä vasemman korin kypsennysprosessi painamalla L-painiketta.
6. Paina haluamaasi kypsennystoimintoa. Oletuskypsennysaika ja -lämpötila vilkkuvat.
7. Säädä kypsennysaikaa ja lämpötilaa tarvittaessa plus- tai miinuspainikkeella (+ tai -).

8. Määritä oikean korin kypsennysprosessi painamalla R-painiketta.
9. Paina haluamaasi kypsennystoimintoa. Oletuskypsennysaika ja -lämpötila vilkkuvat.
10. Säädä kypsennysaikaa ja lämpötilaa tarvittaessa plus- tai miinuspainikkeella (+ tai -). **HUOM.:** Synkronoi kummankin korin kypsennysaika painamalla synkronointipainiketta, jotta molemmat ruokalajit kypsyvät yhtä aikaa.
11. Käynnistä kypsennysprosessi painamalla käynnistys-/keskeytyspainiketta. **HUOM.:** Voit keskeyttää kypsennysprosessin painamalla käynnistys-/keskeytyspainiketta. Jatka kypsennysprosessia painamalla käynnistys-/keskeytyspainiketta.  
**HUOM.:** Kun kypsennysprosessista on kulunut kaksi kolmasosaa, kiertoilmakypsennin antaa äänimerkin ja näytössä näkyy teksti "Trn food" muistutukseksi ruoan ravistamisesta/kääntämisestä tasaisen kypsymisen varmistamiseksi.
12. Kun jäljellä oleva aika on 00:00, näytössä näkyy "End", kiertoilmaliesi piippaa kaksi kertaa ja sammuu.

## KYPSENNYS VAIN YHDELLÄ KORILLA

1. Kytke kiertoilmakypsennin johto pistorasiaan. Virtapainikkeeseen syttyy valkoinen valo.
2. Aseta ruoka paistoritilälle koriin, jossa on erotin.  
**VAROITUS:** ÄLÄ täytä liikaa. Oikean kypsymisen ja ilmankierron varmistamiseksi korin EI SAA KOSKAAN täyttää yli 2/3.  
**HUOMAA:** Kun kypsennät tuoreita vihanneksia kiertoilmakypsenninillä, älä lisää koriin enempää kuin 2–3 kuppia ruoka-aineita.
3. Aseta kori kiertoilmakypsennintimeen.
4. Paina virtapainiketta. Ohjauspaneeliin syttyy valo.
5. Määritä halutun korin kypsennysprosessi painamalla L- tai R-painiketta.
6. Paina haluamaasi kypsennystoimintoa. Oletuskypsennysaika ja -lämpötila vilkkuvat.
7. Säädä kypsennysaikaa ja lämpötilaa tarvittaessa plus- tai miinuspainikkeella (+ tai -).
8. Käynnistä kypsennysprosessi painamalla käynnistys-/keskeytyspainiketta. **HUOM.:** Voit keskeyttää kypsennysprosessin painamalla käynnistys-/keskeytyspainiketta. Jatka kypsennysprosessia painamalla käynnistys-/keskeytyspainiketta.  
**HUOM.:** Kun kypsennysprosessista on kulunut kaksi kolmasosaa, kiertoilmakypsennin antaa äänimerkin ja näytössä näkyy teksti "Trn food" muistutukseksi ruoan ravistamisesta/kääntämisestä tasaisen kypsymisen varmistamiseksi.
9. Kun jäljellä oleva aika on 00:00, näytössä näkyy "End", kiertoilmaliesi piippaa kaksi kertaa ja sammuu.



## TAKUU

Wilfa myöntää tälle tuotteelle viiden (5) vuoden takuun ostopäivämäärästä alkaen. Takuu kattaa valmistusvirheet ja takuuaikana ilmenevät viat. Ostokuitti toimii todisteena jälleenmyyjälle takuuvaatimusten esittämisen yhteydessä.

Takuu koskee ainoastaan yksityiskäyttöön ostettuja ja yksityiskäytössä olleita tuotteita. Takuu ei ole voimassa, jos tuotetta on käytetty kaupallisesti. Takuu ei ole voimassa, jos tuotetta on käytetty väärin, huolimattomasti tai Wilfan antamien ohjeiden vastaisesti tai jos tuotetta on muutettu tai korjattu valtuuttamattomalla tavalla. Takuu ei koske myöskään tuotteen normaalia kulumista, väärinkäyttöä, huollon puutetta, väärän sähköjännitteen käyttöä tai väärää säilytystapaa käytettäessä eikä:

- Tuotteen ylikuormittamista
- Normaalisti kuluvia osia
- Osia, jotka pitääkin vaihtaa säännöllisesti (esim. suodatin, paristo jne.)

FI

**Käyttöohje on saatavana myös verkkosivustoltamme osoitteessa [wilfa.fi](http://wilfa.fi)**



## TUOTETIEDOT

220-240V~50/60Hz 1700W

## TUKI JA VARAOSAT

Tukiasioissa vieraile osoitteessa **wilfa.fi** ja tutustu asiakaspalvelu- ja tukisivuumme. Sieltä löydät usein kysytyt kysymykset, varaosat, vinkit ja neuvot sekä kaikki yhteystietomme.

## KIERRÄTYS



Tämä merkki osoittaa, että laitetta ei saa hävittää missään EU:n alueella talousjätteen mukana. Laite tulee kierrättää vastuullisesti ja kestävän kehityksen periaatteiden mukaisesti, jottei ympäristölle ja ihmisten terveydelle aiheudu haittaa. Kierrätä käytetty laite viemällä se keräyspisteeseen tai palauttamalla se tuotteen jälleenmyyjälle. Sieltä se ohjataan käsiteltäväksi ympäristön kannalta turvallisella tavalla ihan ilmaiseksi.

FI

DE

## INHALTSVERZEICHNIS

- 76 WICHTIGE SICHERHEITSHINWEISE
- 78 SICHERHEITSVORKEHRUNGEN FÜR IHRE  
HEISSLUFTFRITTEUSE
- 80 PRODUKTÜBERSICHT
- 81 DISPLAY
- 83 PROGRAMME
- 83 VOR DEM GEBRAUCH
- 83 GEBRAUCH
- 86 GARANTIE
- 87 TECHNISCHE DATEN
- 87 SUPPORT UND ERSATZTEILE
- 87 RECYCLINGFÄHIGKEIT

DE

## WICHTIGE SICHERHEITSHINWEISE

- Lesen Sie sich diese Anleitung vor Verwendung des Geräts gründlich durch und bewahren Sie sie auf. Die Gebrauchsanleitung finden Sie auch auf unserer Website [wilfa.com](http://wilfa.com).
- Dieses Gerät ist nur für die Verwendung in Innenräumen und die nicht-industrielle, nicht-gewerbliche Verwendung im Haushalt vorgesehen.
- Das Gerät darf nicht von Kindern unter 8 Jahren bedient werden. Dieses Gerät kann von Kindern ab 8 Jahren unter Aufsicht verwendet werden. Das Gerät und sein Kabel außerhalb der Reichweite von Kindern unter 8 Jahren aufbewahren. Die Nutzung des Geräts durch Personen mit verminderten körperlichen, sensorischen oder geistigen Fähigkeiten bzw. ohne ausreichende Erfahrung und Wissen ist untersagt, sofern sie nicht beaufsichtigt werden, eine Einweisung zur sicheren Nutzung der Geräte erhalten haben und die damit verbundenen Gefahren verstanden haben. Die Reinigung und Wartung darf nicht von Kindern ausgeführt werden. Das Gerät ist kein Spielzeug für Kinder.
- Wenn das Stromkabel beschädigt ist, muss es vom Hersteller, seiner Servicestelle oder ähnlich qualifizierten Personen ersetzt werden, um eine Gefährdung auszuschließen.

DE

- Schalten Sie das Gerät aus und ziehen Sie den Netzstecker, bevor Sie es reinigen, warten oder umpositionieren und wenn es nicht in Gebrauch ist.
- Die Flächen werden bei Gebrauch heiß.
- Nach längerem Gebrauch ist die entsprechende Heizzone der Induktionsheizplatte noch heiß. Um Verbrennungen zu vermeiden, sollten Sie die Keramikoberfläche nicht berühren.
- Tauchen Sie keine der Komponenten des Geräts in Wasser oder andere Flüssigkeiten ein.
- Tauchen Sie das Gehäuse, das elektrische Komponenten und Heizelemente enthält, nicht in Wasser und spülen Sie es nicht unter dem Wasserhahn ab.
- Lassen Sie kein Wasser oder andere Flüssigkeiten in das Gerät eindringen, um Stromschläge zu vermeiden.
- Decken Sie die Lufteinlass- und Luftauslassöffnungen nicht ab, während das Gerät in Betrieb ist.
- Berühren Sie niemals das Geräteinnere, während es in Betrieb ist.
- Halten Sie das Netzkabel von heißen Oberflächen fern.

- Schließen Sie dieses Gerät niemals an einen externen Zeitschalter oder ein separates Fernbedienungssystem an, um Gefahrensituationen zu vermeiden.
- Ziehen Sie sofort den Netzstecker, wenn dunkler Rauch aus dem Gerät austritt. Warten Sie, bis die Rauchentwicklung aufhört, bevor Sie die Pfanne aus dem Gerät nehmen.
- Achten Sie darauf, sich nicht an Stellen mit dem Symbol für hohe Temperaturen zu verbrennen.

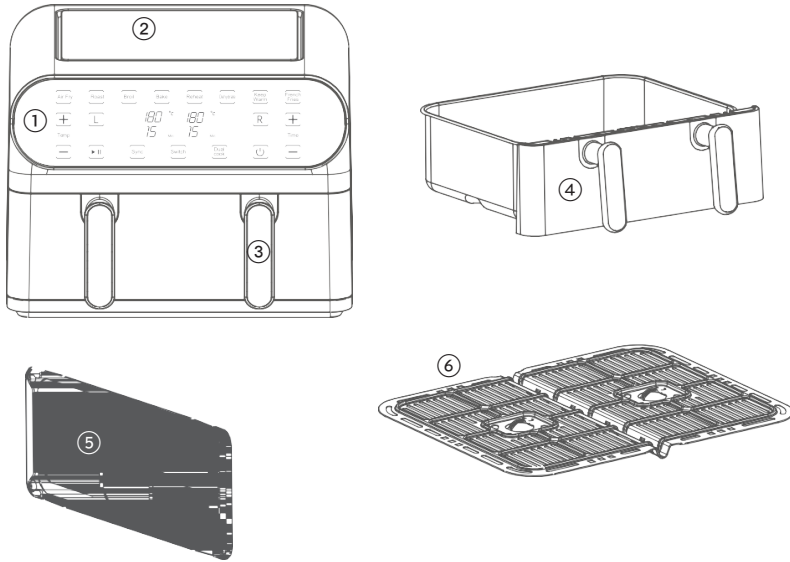
#### SICHERHEITSVORKEHRUNGEN FÜR IHRE HEISSLUFTFRITTEUSE

- Legen Sie die zu frittierenden Zutaten immer in den Korb, um zu verhindern, dass diese mit den Heizelementen in Berührung kommen.
- Füllen Sie die Pfanne nicht mit Öl, da dies eine Brandgefahr darstellen kann.
- Beim Luftfrittieren wird heißer Dampf durch den Luftauslass abgegeben. Halten Sie Ihre Hände und Ihr Gesicht in sicherem Abstand zum Dampf und zu den Luftauslassöffnungen. Achten Sie auch beim Herausnehmen der Pfanne aus dem Gerät auf heißen Dampf und heiße Luft.

DE

DE

## PRODUKTÜBERSICHT

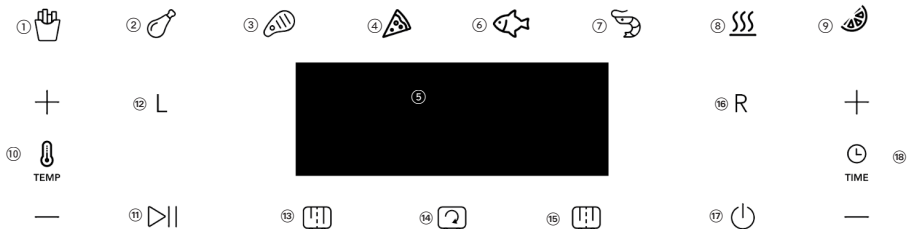


- 1 Display
- 2 Luftinlass
- 3 Griffe
- 4 Korb
- 5 Trennwand
- 6 Frittierrost

DE



## DISPLAY



1. Pommes frites
2. Hähnchen
3. Steak
4. Pizza
5. Digitalanzeige für Temperatur und Zeit
6. Fisch
7. Garnelen
8. Warmhalten
9. Dehydrieren
10. Temperaturregelung (+ oder -)

- Drücken Sie links auf dem Bedienfeld auf + oder –, um die Temperatur in 5-Grad-Schritten zu erhöhen oder zu verringern.

#### 11. Start oder Pause

- Wenn die Programmierung fertig ist, drücken Sie die START- und PAUSE-Taste, um den Garvorgang zu starten oder einen Vorgang zu unterbrechen.

#### 12. Steuerung linker Korb

**HINWEIS:** LINKE oder RECHTE Körbe können jederzeit vor oder während des Garvorgangs unabhängig programmiert werden.

i. Die Steuerung L oder R leuchtet dauerhaft auf dem Bildschirm, wenn sie aktiv ist. Um eine Programmierung anzupassen oder hinzuzufügen, drücken Sie die entsprechende Steuerung des linken (L) oder rechten (R) Korbs. Wenn die Steuerung zu blinken beginnt, können TEMPERATUR und ZEIT eingestellt werden.

DE

**13. Speisen synchronisieren**

- Die Synchronisierungsfunktion passt die Temperatur und Garzeit in jedem Korb unabhängig voneinander an, damit zwei verschiedene Gerichte gleichzeitig fertig gegart werden können.
- Die LINKEN und RECHTEN Körbe müssen zuerst programmiert werden.
- Drücken Sie auf die SYNCHRONISIEREN-Taste, um einzustellen, dass beide Körbe gleichzeitig fertig garen. Drücken Sie dann die START- und PAUSE-Taste, um den Vorgang zu starten.
- Die Garzeit wird auf der linken und rechten Seite angezeigt und der Countdown beginnt auf der Seite mit der längeren Zeit. Wenn die verbleibende Zeit auf der linken und rechten Seite gleich ist, wird der Countdown auf beiden Seiten fortgesetzt.

**HINWEIS:** Sobald der Garvorgang gestartet ist, ist die SYNCHRONISIEREN-Funktion nicht mehr bedienbar.

**14. Schalter**

- Drücken Sie die SCHALTER-Steuerung, um einen Einzelkorb ohne Trennwand einzusetzen.
- Die Tasten L/R, SYNCHRONISIEREN und DUAL COOK leuchten nicht. Es wird nur ein Satz von ZEIT und TEMPERATUR angezeigt.

**15. Dual Cook**

- Mit der Dual-Cook-Funktion können Sie für beide Körbe gleichzeitig das gleiche Programm und die gleichen Einstellungen wählen. Drücken Sie Dual Cook und wählen Sie Programm, Zeit und Temperatureinstellungen für beide Körbe.

**16. Steuerung rechter Korb****17. Ein-/Ausschalter**

- Wenn der Stecker die Heißluftfritteuse eingesteckt ist, ertönt ein Signalton und die EIN/AUS-Taste leuchtet auf, um anzuzeigen, dass das Gerät eingeschaltet ist.
- Wenn EIN/AUS gedrückt wird, ertönt ein Ton und alle Tasten leuchten auf.
- Wenn das Gerät in Betrieb ist, drücken Sie auf die EIN/AUS-Taste, um die Steuerung des LINKEN und RECHTEN Korbs auszuschalten.

**18. Zeitsteuerung (+ oder -)**

- Drücken Sie rechts auf dem Bedienfeld auf + oder -, um die ZEIT in Schritten von 1 Minute zu erhöhen oder zu verringern.

**HINWEIS:** Bei der Verwendung von DEHYDRIEREN erhöht oder verringert sich die ZEIT in Schritten von 1 Stunde.

## PROGRAMME

| Programm         | Position im Display | Temp | Zeit  | Doppelte Garzeit | Temp.-bereich | Zeitbereich | Rüttel-erinnerung | Vorwärmen |
|------------------|---------------------|------|-------|------------------|---------------|-------------|-------------------|-----------|
| Pommes<br>Frites | 1                   | 200  | 18    | 23               | 80–200        | 1–60        | Ja                | Ja        |
| Hähnchen         | 2                   | 200  | 20    | 25               | 80–200        | 1–60        | Ja                | Ja        |
| Steak            | 3                   | 180  | 15    | 19               | 80–200        | 1–60        | Ja                | Ja        |
| Pizza            | 4                   | 200  | 11    | 13               | 80–200        | 1–60        | Nein              | Ja        |
| Fisch            | 5                   | 190  | 10    | 12               | 80–200        | 1–60        | Ja                | Ja        |
| Garnelen         | 6                   | 180  | 10    | 12               | 80–200        | 1–60        | Ja                | Ja        |
| Warmhalten       | 7                   | 80   | 30    | 30               | 70–100        | 1–60        | Nein              | Nein      |
| Dehydrieren      | 8                   | 70   | 6Std. | 6Std.            | 30–100        | 1–1.440     | Nein              | Nein      |

Um die Temperatur- und Zeiteinstellungen eines Programms dauerhaft zu ändern, wählen Sie Ihr Programm, stellen Sie die gewünschte Zeit und Temperatur ein und halten Sie die Taste **— + ▷** 2 Sekunden lang gedrückt, um Ihre Änderungen vorzunehmen. Dies wird durch einen langen Piepton bestätigt.

## VOR DEM GEBRAUCH

1. Entfernen Sie alle Verpackungen.
2. Säubern Sie alle abnehmbaren Teile gründlich mit Wasser und einem milden Spülmittel.
  - a. Herausnehmbarer Korb, Frittierrost und Trennwand.
3. Wischen Sie die Innenseite und die Außenseite der Heißluftfritteuse mit einem feuchten Tuch ab und trocknen Sie sie mit einem trockenen Tuch. Tauchen Sie das Hauptteil der Heißluftfritteuse NIEMALS in Wasser.
4. Trocknen Sie nach der Reinigung alle abnehmbaren Teile und setzen Sie sie in die Heißluftfritteuse ein. **HINWEIS:** Bei der ersten Verwendung kann die Heißluftfritteuse mit Doppelkorb einen leichten Geruch abgeben. Dies ist normal und hat keinen Einfluss auf das Aroma der Speisen.

DE

## GEBRAUCH

### FRITTIEREN MIT 11-L-KORB

1. Stecken Sie den Netzstecker in eine Steckdose. Der EIN/AUS-Schalter leuchtet weiß.

1. Legen Sie das Gargut auf den Frittierrost in den Korb ohne Trennwand.  
**ACHTUNG:** NICHT überfüllen. Um ein gutes Garen und eine gute Luftzirkulation zu gewährleisten, füllen Sie den Korb NIEMALS mehr als 2/3 voll.  
**HINWEIS:** Beim Frittieren von frischem Gemüse wird empfohlen, nicht mehr als 2 bis 3 Tassen Gargut in den Korb zu geben.
2. Setzen Sie den Korb in die Heißluftfritteuse.
3. Drücken Sie den EIN/AUS-Schalter. Das Bedienfeld leuchtet auf.
4. Schalter drücken. **HINWEIS:** Die Tasten L, R, Sync und Dual Cook schalten sich aus. Die Synchronisieren-Tasten werden ausgeschaltet.
5. Drücken Sie die gewünschte Garfunktion. Die voreingestellte Garzeit und Temperatur blinken.
6. Passen Sie, falls gewünscht, die Garzeit und Temperatur mit den Tasten + oder – an. **HINWEIS:** In der Dehydrierungseinstellung kann die Zeit in Schritten von 1 Stunde eingestellt werden.
7. Drücken Sie die Start/Pause-Taste, um den Garvorgang zu starten.  
**HINWEIS:** Um den Garvorgang zu unterbrechen, drücken Sie die Start/Pause-Taste. Um den Garvorgang fortzusetzen, drücken Sie erneut die Start/Pause-Taste. **HINWEIS:** Nach zwei Dritteln des Garvorgangs piept die Heißluftfritteuse und das Display zeigt „Trn food“ an, um Sie daran zu erinnern, dass Sie Ihr Gargut rütteln oder wenden müssen, um ein gleichmäßiges Garen zu erreichen.
8. Wenn die verbleibende Zeit 00:00 erreicht, zeigt das Display „End“ an, die Heißluftfritteuse piept zweimal und schaltet sich aus.

## MIT BEIDEN KÖRBEIN FRITTIEREN

1. Stecken Sie das Netzkabel der Heißluftfritteuse in eine Steckdose. Der EIN/AUS-Schalter leuchtet weiß.
2. Legen Sie das Gargut auf den Frittierrost in den Korb mit Trennwand.  
**ACHTUNG:** NICHT überfüllen. Um ein gutes Garen und eine gute Luftzirkulation zu gewährleisten, füllen Sie keinen Korb NIEMALS mehr als 2/3 voll. **HINWEIS:** Beim Frittieren von frischem Gemüse wird empfohlen, nicht mehr als 2 bis 3 Tassen Gargut in den Korb zu geben.
3. Setzen Sie den Korb in die Heißluftfritteuse.
4. Drücken Sie den EIN/AUS-Schalter. Das Bedienfeld leuchtet auf.
5. Drücken Sie die L-Taste, um den Garvorgang für das Gargut im linken Korb einzustellen.
6. Drücken Sie die gewünschte Garfunktion. Die voreingestellte Garzeit und Temperatur blinken.
7. Passen Sie, falls gewünscht, die Garzeit und Temperatur mit den Tasten + oder – an.
8. Drücken Sie die R-Taste, um den Garvorgang für das Gargut im rechten Korb einzustellen.

DE

9. Drücken Sie die gewünschte Garfunktion. Die voreingestellte Garzeit und Temperatur blinken.
10. Passen Sie, falls gewünscht, die Garzeit und Temperatur mit den Tasten + oder – an. **HINWEIS:** Drücken Sie die Synchronisieren-Taste, um die Garzeit in beiden Körben zu synchronisieren, damit beide Gerichte gleichzeitig fertig garen.
11. Drücken Sie die Start/Pause-Taste, um den Garvorgang zu starten. **HINWEIS:** Um den Garvorgang zu unterbrechen, drücken Sie die Start/Pause-Taste. Um den Garvorgang fortzusetzen, drücken Sie erneut die Start/Pause-Taste. **HINWEIS:** Nach zwei Dritteln des Garvorgangs piept die Heißluftfritteuse und das Display zeigt „Trn food“ an, um Sie daran zu erinnern, dass Sie Ihr Gargut rütteln oder wenden müssen, um ein gleichmäßiges Garen zu erreichen.
12. Wenn die verbleibende Zeit 00:00 erreicht, zeigt das Display „End“ an, die Heißluftfritteuse piept zweimal und schaltet sich aus.

#### FRITTIEREN MIT NUR EINEM KORB

1. Stecken Sie das Netzkabel der Heißluftfritteuse in eine Steckdose. Der EIN/AUS-Schalter leuchtet weiß.
2. Legen Sie das Gargut auf den Frittierrost in den Korb mit Trennwand. **ACHTUNG:** NICHT überfüllen. Um ein gutes Garen und eine gute Luftzirkulation zu gewährleisten, füllen Sie den Korb NIEMALS mehr als 2/3 voll. **HINWEIS:** Beim Frittieren von frischem Gemüse wird empfohlen, nicht mehr als 2 bis 3 Tassen Gargut in den Korb zu geben.
3. Setzen Sie den Korb in die Heißluftfritteuse.
4. Drücken Sie den EIN/AUS-Schalter. Das Bedienfeld leuchtet auf.
5. Drücken Sie die L- oder R-Taste, um den Garvorgang für das Gargut im gewünschten Korb einzustellen.
6. Drücken Sie die gewünschte Garfunktion. Die voreingestellte Garzeit und Temperatur blinken.
7. Passen Sie, falls gewünscht, die Garzeit und Temperatur mit den Tasten + oder – an.
8. Drücken Sie die Start/Pause-Taste, um den Garvorgang zu starten. **HINWEIS:** Um den Garvorgang zu unterbrechen, drücken Sie die Start/Pause-Taste. Um den Garvorgang fortzusetzen, drücken Sie erneut die Start/Pause-Taste. **HINWEIS:** Nach zwei Dritteln des Garvorgangs piept die Heißluftfritteuse und das Display zeigt „Trn food“ an, um Sie daran zu erinnern, dass Sie Ihr Gargut rütteln oder wenden müssen, um ein gleichmäßiges Garen zu erreichen.
9. Wenn die verbleibende Zeit 00:00 erreicht, zeigt das Display „End“ an, die Heißluftfritteuse piept zweimal und schaltet sich aus.



## GARANTIE

Wilfa gewährt auf dieses Produkt 5 Jahre Garantie ab Kaufdatum. Die Garantie deckt Produktionsfehler oder Mängel ab, die während der Garantiezeit auftreten. Ihr Kaufbeleg dient als Nachweis gegenüber dem Händler, wenn Sie Ihre Garantie in Anspruch nehmen.

Die Garantie gilt nur für Produkte, die für Privathaushalte gekauft und dort verwendet werden. Die Garantie gilt nicht, wenn das Produkt gewerblich verwendet wird. Die Garantie gilt nicht bei unsachgemäßer oder fahrlässiger Verwendung, Nichtbefolgung der Anleitungen von Wilfa oder falls das Gerät modifiziert oder eine nicht-autorisierte Reparatur daran vorgenommen wurde. Die Garantie gilt auch nicht für normalen Verschleiß und Abnutzung des Produkts, fehlerhafte Verwendung, mangelhafte Pflege, Verwendung einer falschen elektrischen Spannung oder:

- Überlastung des Produkts
- Teile, die normal abgenutzt sind
- Teile, bei denen ein regelmäßiger Austausch zu erwarten ist (z. B. Filter, Batterie usw.)

DE

**Die Gebrauchsanweisung finden Sie auch auf unserer Website [wilfa.com](http://wilfa.com)**

## TECHNISCHE DATEN

220-240V~50/60Hz 1700W

## SUPPORT UND ERSATZTEILE

Support erhalten Sie auf **wilfa.com** und auf unserer Kundenservice-/Supportseite. Dort finden Sie Antworten auf häufig gestellte Fragen, Ersatzteile, Tipps und Tricks sowie alle unsere Kontaktdaten.

## RECYCLINGFÄHIGKEIT



Diese Kennzeichnung weist darauf hin, dass das Produkt in der EU nicht über den Hausmüll entsorgt werden darf. Um mögliche Schäden für die Umwelt oder die menschliche Gesundheit durch unkontrollierte Abfallentsorgung zu vermeiden, recyceln Sie das Gerät verantwortungsvoll. Sie fördern so die nachhaltige Wiederverwendung von Materialressourcen. Um Ihr Altgerät zurückzugeben, nutzen Sie bitte eines der Rückgabe- und Sammelsysteme oder wenden Sie sich an den Händler, bei dem das Produkt gekauft wurde. Dort kann das Produkt kostenlos für ein umweltfreundliches Recycling zurückgenommen werden.

DE



# BEYOND EXPECTATIONS

